



Thomas 173 HLS II

Publication No. 042425
Serial No. LK000930
to LK001899

**Parts
Manual**

INDEX - T173HL'S'II

MAINFRAME 1.

A-1	Fuel System.....	1.1
A-2	Rear Door and Latch.....	1.2
A-3	Quick-Tach (Original Standard).....	1.3
A-4	Quick-Tach.....	1.4
A-5	Universal Quick-Tach.....	1.5
A-6	Seat, Belt and Shields.....	1.6
A-7	ROPS Assy.....	1.7
A-8	Boom Lock.....	1.8
A-9	Pivot Pins.....	1.9
A-10	Boom Lockdown.....	1.10

MAIN FRAME

CONTROLS 2.

A-11	Control Levers (R.H. Side).....	2.1
A-12	Control Levers (L.H. Side).....	2.1.1
B-1	Fool Pedals.....	2.2
B-2	Throttle.....	2.3
B-3	Restraint Bar and Brake Cable.....	2.4

CONTROLS

FINAL DRIVE TRANSMISSION 3.

B-4	Transmission Housing.....	3.1
B-5	Axle Assy.....	3.2
B-6	Idler Sprocket and Drive Chains.....	3.3
B-7	Parking Brake.....	3.4

FINAL DRIVE TRANSMISSION

HYDRAULIC SYSTEM 4.

B-8	Oil Reservoir.....	4.1
B-9	Boom Lift Circuit.....	4.2
B-10	Bucket Tilt Circuit.....	4.3
B-11	Auxiliary Hydraulic Circuit.....	4.4
B-12	Auxiliary Gear Pump.....	4.5
C-1	Control Valve.....	4.6
C-2	Control Valve Locks.....	4.6.1
C-3	Hydraulic Oil Cooler and Filter.....	4.7
C-4	Lift Cylinder.....	4.8
C-5	Tilt Cylinder.....	4.8.1
C-6	Self Level Valve.....	4.9

HYDRAULIC SYSTEM

HYDROSTATIC DRIVE SYSTEM 5.

C-7	Hydrostatic Drive Circuit (R.H. Side).....	5.1
C-8	Hydrostatic Drive Circuit (L.H. Side).....	5.1.1
C-9	Front Hydrostatic Pump.....	5.2
C-10	Rear Hydrostatic Pump.....	5.2.1
C-11	Torque Motor.....	5.3

HYDROSTATIC DRIVE SYSTEM

ELECTRICAL SYSTEM 6.

C-12	Electrical Schematic (ROPS Side, To LK000929).....	6.1
D-1	Electrical Schematic (Engine Side, To LK000929).....	6.2
D-2	Electrical Schematic (ROPS Side, To LK000930).....	6.3
D-3	Electrical Schematic (Engine Side, To LK000930).....	6.4

ELECTRICAL SYSTEM

ENGINE EQUIPMENT 7.

D-4	Exhaust System.....	7.1
D-4	Air Cleaner.....	7.1
D-5	Radiator and Engine Mounts.....	7.2
D-6	Universal Joint.....	7.3

ENGINE EQUIPMENT

OPTIONAL EQUIPMENT 8.

D-7	Electric Auxiliary.....	8.1
D-8	Hand Control Lever (R.H. Side).....	8.2
D-9	Hand Control Lever (L.H. Side).....	8.3
D-10	Back-Up Alarm.....	8.4
D-11	Horn Kit.....	8.5
D-12	Wheel Equipment.....	8.6
E-1	Sound Insulation.....	8.7
E-2	Decals and Wheel Equipment.....	8.8
E-3	Cab Door.....	8.9
E-4	Strobe Light Kit.....	8.10
E-5	Directional Light Kit.....	8.11
E-6	Cab Heater.....	8.12
E-7	Enclosures.....	8.13

OPTIONAL EQUIPMENT

THOMAS EQUIPMENT LIABILITY WARRANTY

THOMAS EQUIPMENT LIMITED (Hereinafter referred to as the "Company") warrants each new **Thomas** S/S Loader sold by the Company to be free from manufacturing defects when used in normal service for a period of twelve [12] months, commencing with delivery to the original user, if operated according to manufacturer instructions and by a competent and careful operator. This warranty shall not apply to the loader or any part thereof which has been subject to misuse, negligence, alteration, or accident or which shall have been repaired outside of an authorized **Thomas** dealer place of business.

The Company's obligation under this warranty is expressly limited to the replacement or repair at **Thomas** Equipment Limited, Centreville, New Brunswick, or at a designated **Thomas** Dealer, of such part or parts which in the opinion of the Company have been defective. The Company shall not be liable for labour costs or transportation charges in connection with the replacement or repair of defective parts.

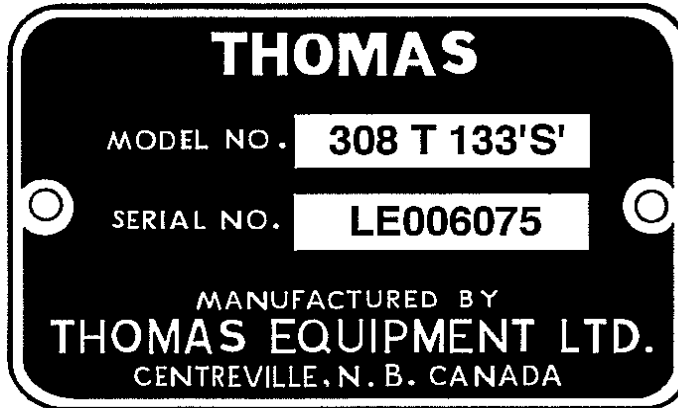
This warranty to repair applies only to new and unused **Thomas** S/S Loaders which after shipment from the factory have not been altered, changed, repaired or treated in any manner whatsoever and does not extend to trade accessories though sold or operated with the Company's loader. Trade accessories such as, but not limited to, engines, tires, batteries, are subject to the warranty of their respective manufacturers.

The Company and/or its authorized **Thomas** dealers shall not be liable for consequential damages or contingent liabilities for the fitness of any **Thomas** S/S Loader for any particular purpose.

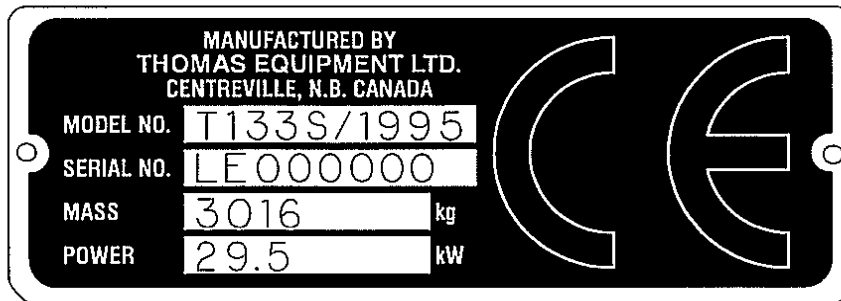
This warranty is expressly in lieu of any other express or implied warranty, condition or guarantee of this **Thomas** S/S Loader or any part thereof, including any implied warranty or condition of merchantability or fitness and of any other obligations on the part of the Company or the selling dealer.

No representative of the Company has authority to change this warranty in any manner whatsoever and no attempt to repair or promise to repair or improve the **Thomas** S/S Loader covered by this warranty by any representative of the Company shall waive or change or extend this warranty in any manner whatsoever.

*N.B. Read and practice your **Thomas** S/S Loader operating and servicing instructions. Failure to do this may void your warranty.*



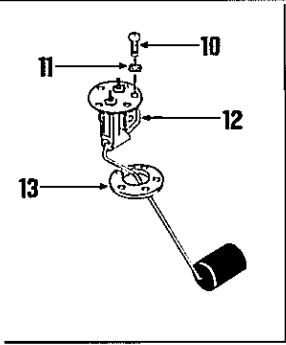
It is important when ordering replacement parts or making a service inquiry to provide both the model number and serial number of your Thomas loader. The serial number plate is located at the rear of the machine on the left hand side. In the event that the serial number plate is missing, the model number and serial number are both stamped into the main frame inside the rear door.



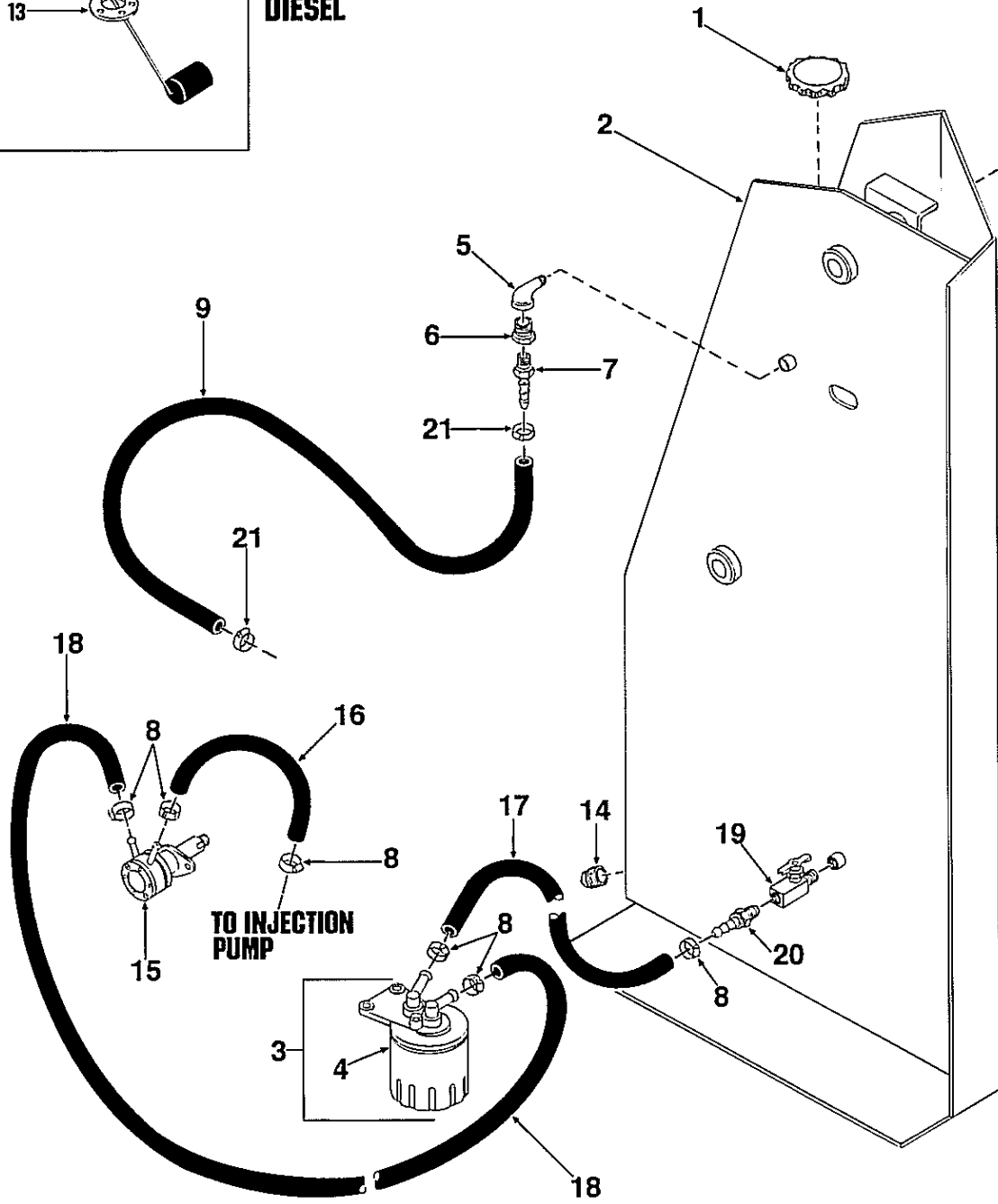
MAINFRAME 1.

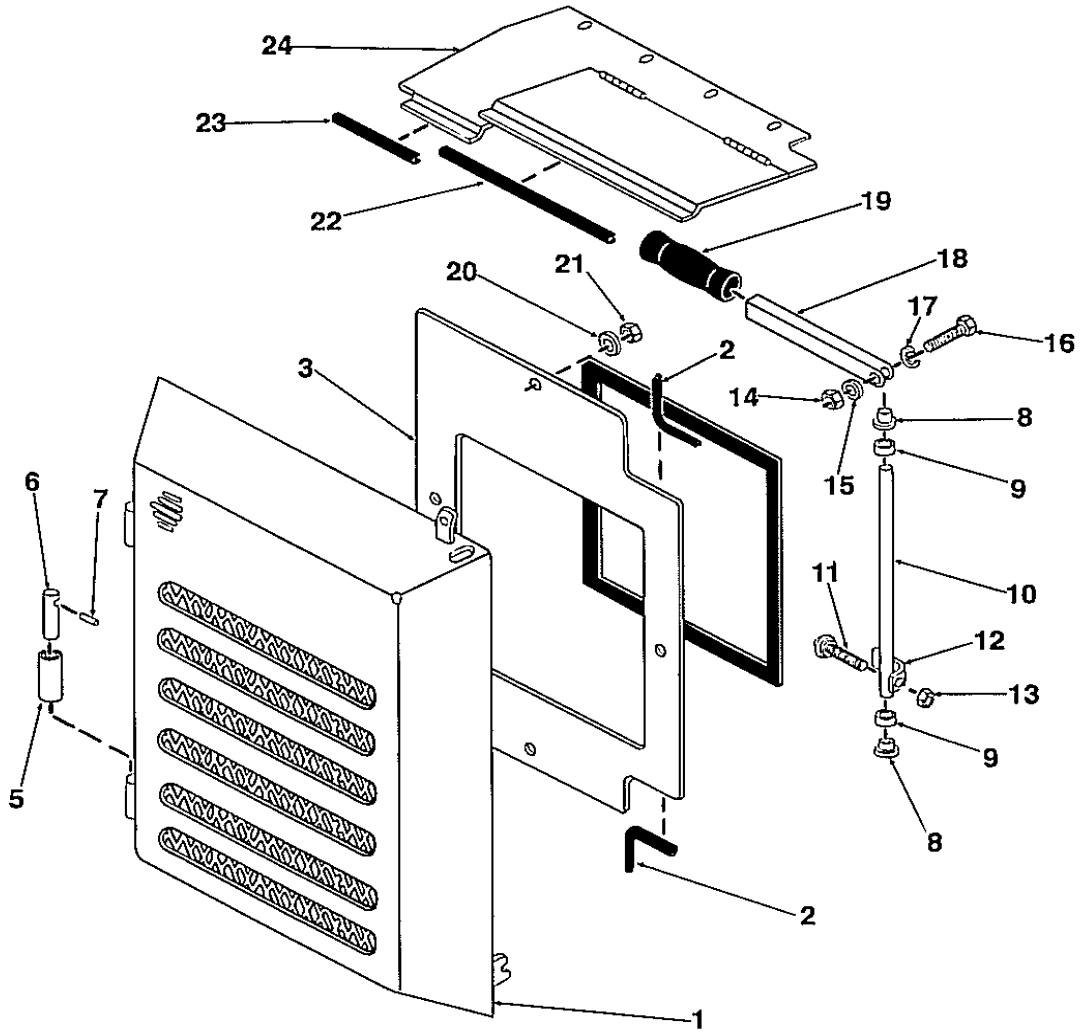
A-1	Fuel System.....	1.1
A-2	Rear Door and Latch.....	1.2
A-3	Quick-Tach.(Original Standard.).....	1.3
A-4	Quick-Tach.....	1.4
A-5	Universal Quick-Tach.....	1.5
A-6	Seat, Belt and Shields.....	1.6
A-7	ROPS Assy.....	1.7
A-8	Boom Lock.....	1.8
A-9	Pivot Pins.....	1.9
A-10	Boom Lockdown.....	1.10

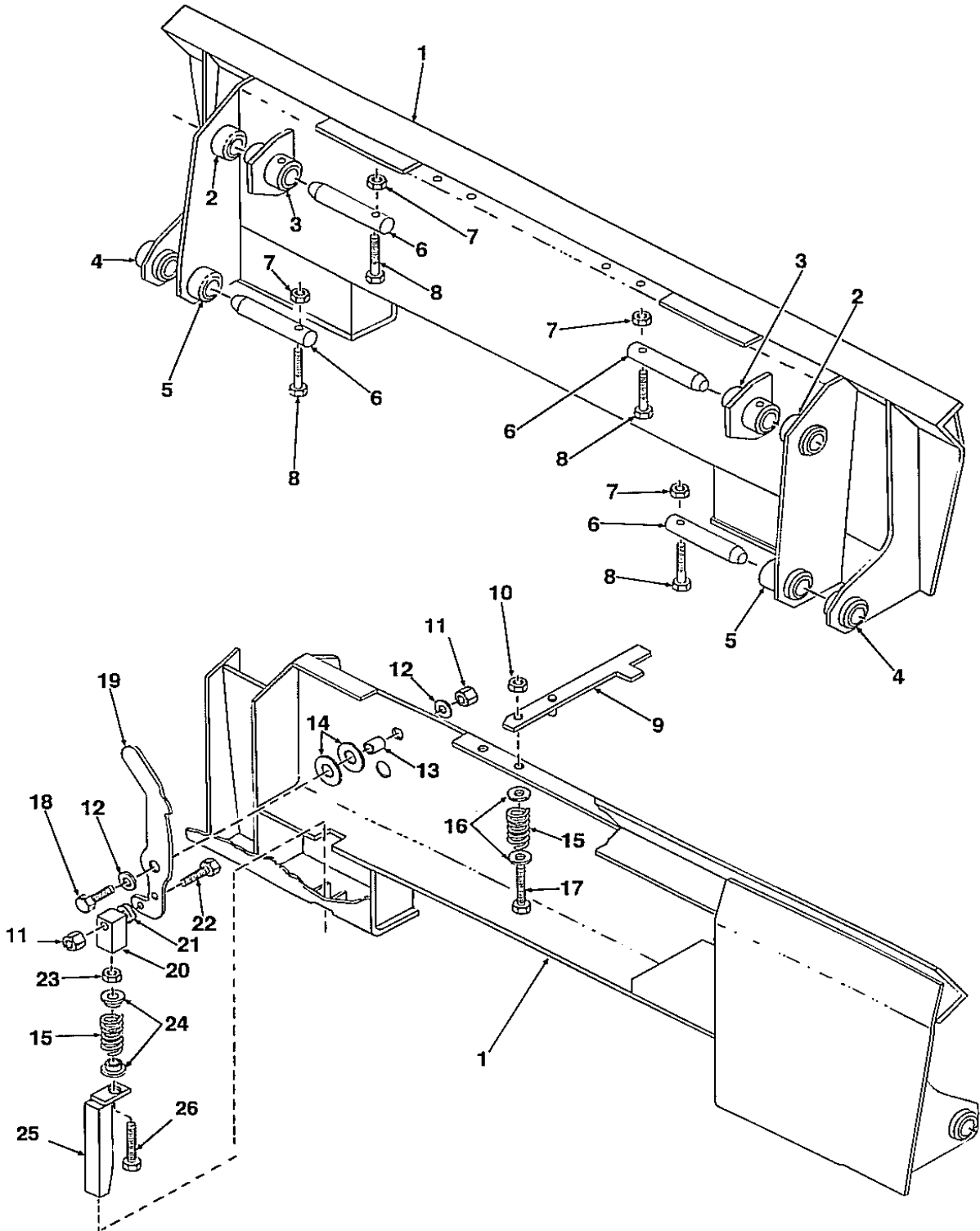
MAIN FRAME

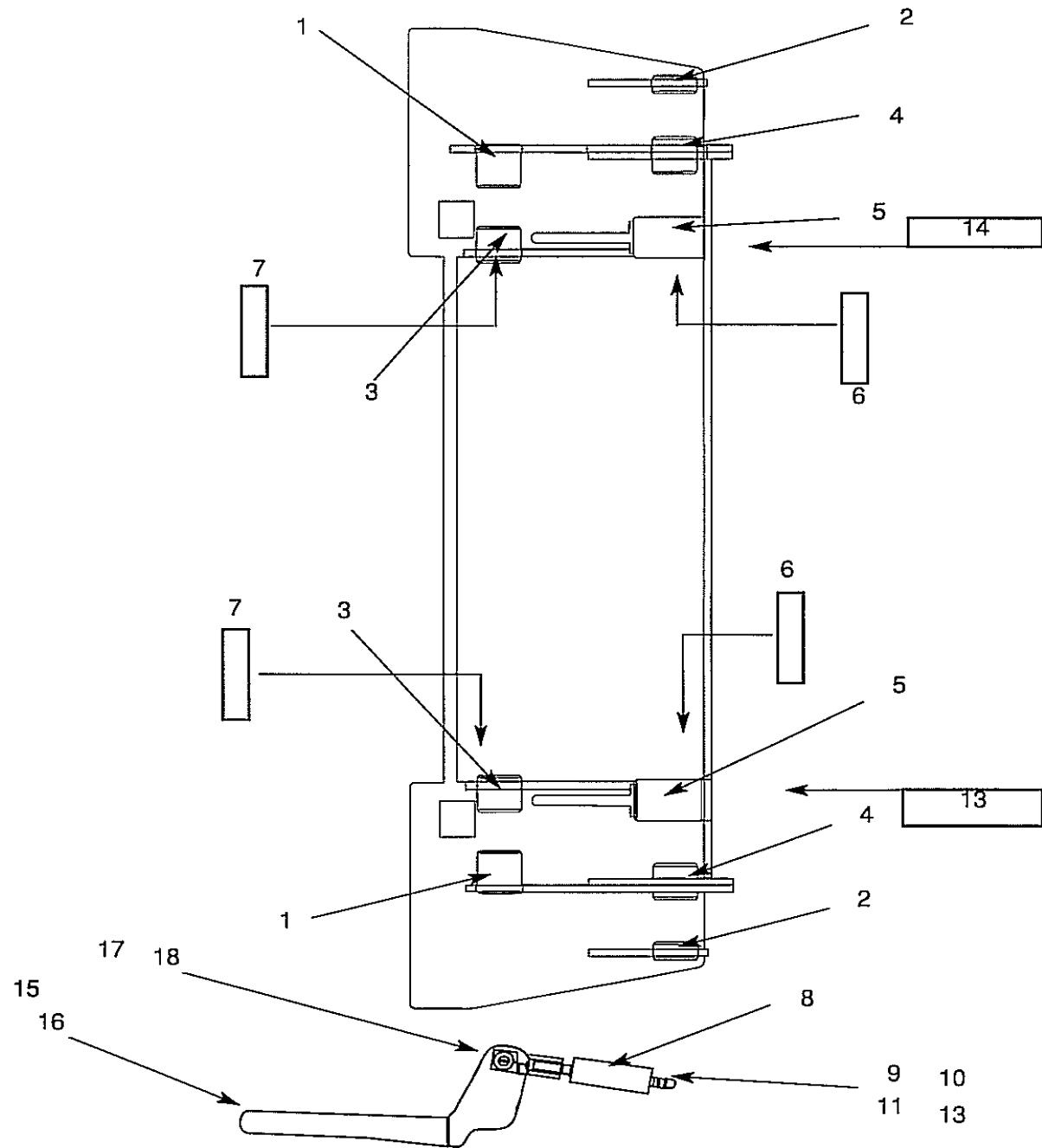


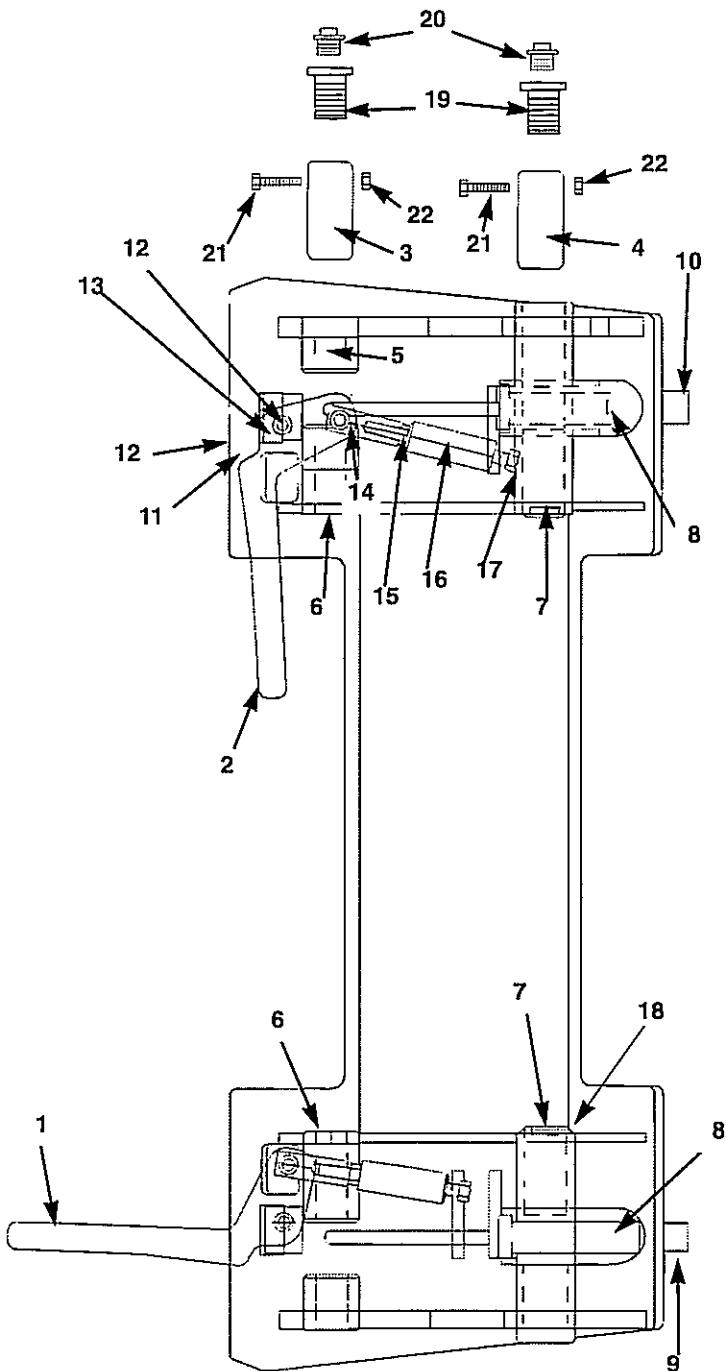
DIESEL

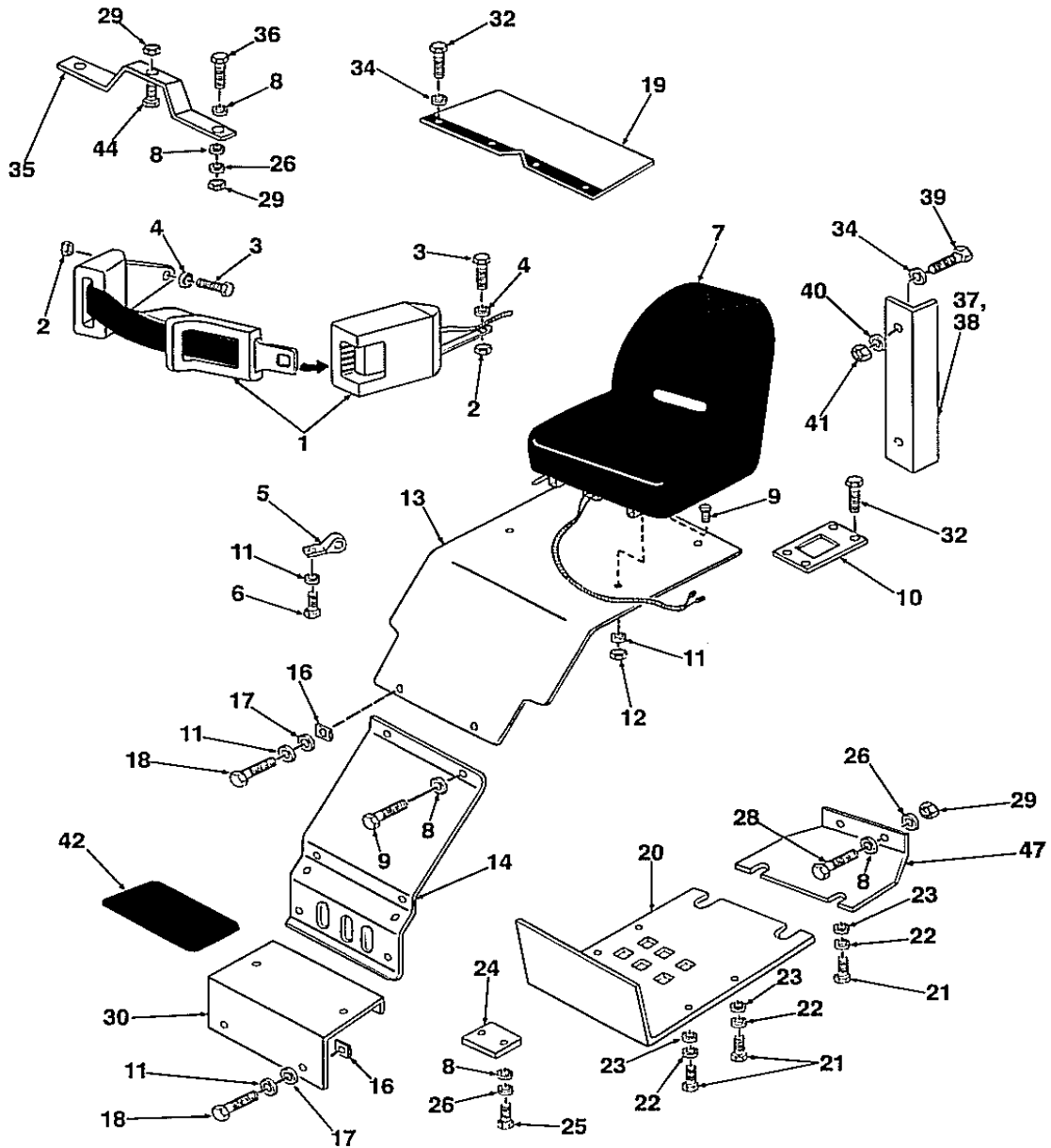








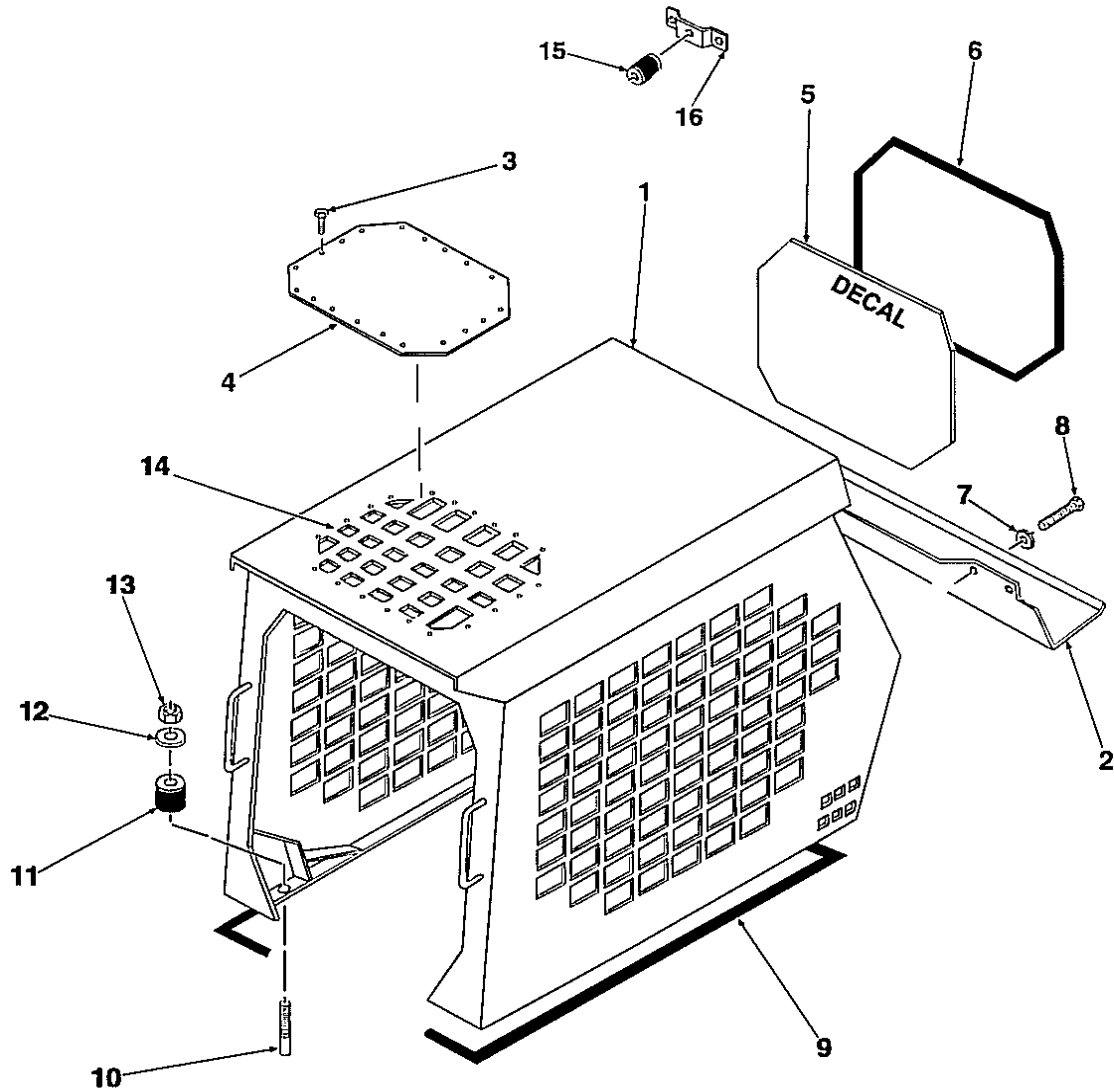


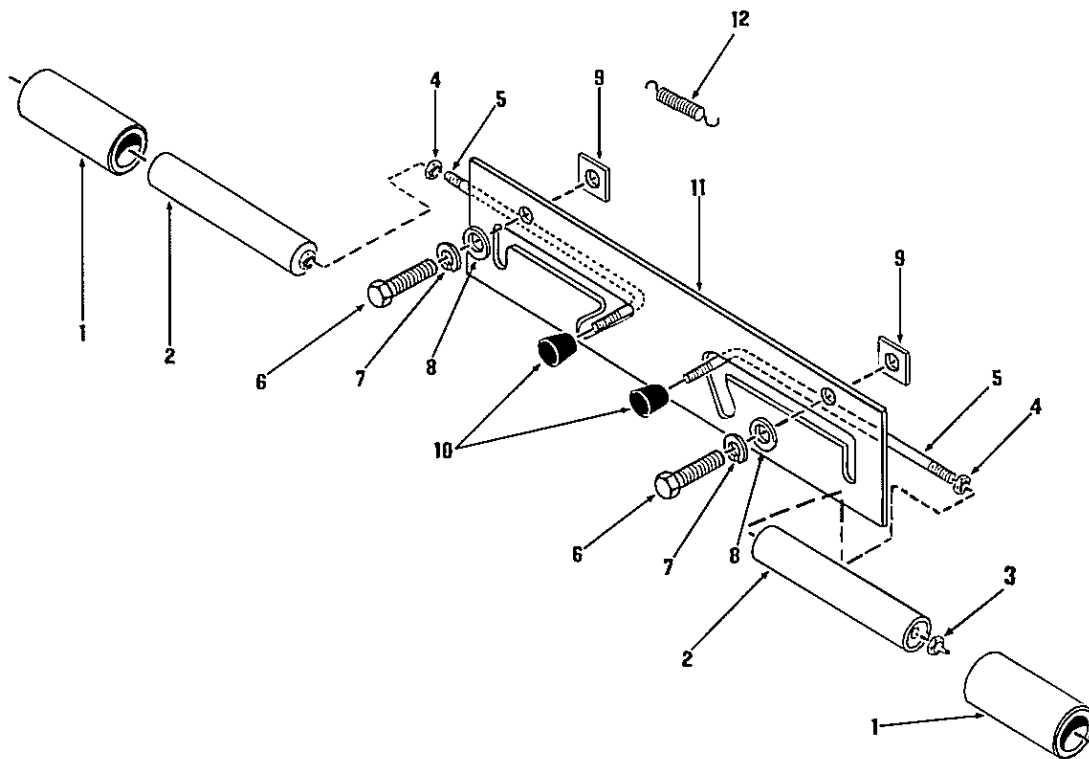


Seat, Belt and Shields

1.6

REF. NO.	PART NO.	DESCRIPTION	T173 HL'S'	T173 HL'S'II	SERIAL NO.
1	960680	Seat Belt	1	1	
1	960681	3" Seat Belt (Option)	1	1	
2	7465	Nut 3/8" Nylok	2	2	
3	1193	Bolt 3/8" x 1" UNC	2	2	
4	1643	Washer Flat 3/8"	2	2	
5	40581	Clip	1	1	
6	6081	Bolt 5/16" x 3/4" UNC	1	1	
7	38600	Seat Assy	1	1	
8	1643	Washer, Flat 3/8"	16	16	
9	38751	Cap screw 3/8" x 3/4"	6	6	
10	40053	Sheet, Boot cover	2	2	
11	1870	Washer 5/16" Loc	11	11	
12	1191	Nut, 5/16" UNC	4	4	
13	960799	Sheet, Seat Mount	1	1	
14	40091	Shield, Front Bilkhead	1	1	
15	38516	Switch, Seat	1	1	
16	6086	Nut, Captive	6	6	
17	1651	Washer, Flat 5/16"	4	4	
18	2580	Bolt, 5/16" x 1 1/4" UNC	2	2	
19	40346	Rear Shield	1	1	
20	40183	Plate Front Belly Pan	1	1	
21	20856	Bolt 1/2" x 1 1/2"	6	6	
22	20861	Washer Loc 1/2"	7	7	
23	23385	Washer Flat 1/2"	6	6	
24	32070	Cover, Cleanout	1	1	
25	1673	Bolt, 3/8" x 3/4" UNC	2	2	
26	1642	Washer Loc 3/8"	6	6	
27	31581	Rear Belly Pan	1	1	
28	8280	Bolt 3/8" x 1 3/4"	2	2	
29	1194	Nut 3/8" UNC	4	4	
30	25762	Shield Step	1	1	
31	1190	Bolt 5/16" x 1"	4	4	
32	31744	Screw Self Tap 1/4"	12	12	
33	30607	Safety Step 4" x 9" LH/RH Step Shield	2	2	
34	1650	Washer, Flat 1/4"	8	8	
35	960896	Rear Isolator Extension	1	1	
36	1387	Bolt 3/8" x 1 1/4"	2	2	
37	40347	Side Filler Shield L/H	1	0	
38	28957	Side Filler Shield R/H	1	0	
39	5170	Bolt 1/4" x 1" UNC	4	4	
40	2279	Washer Loc 1/4"	4	4	
41	1350	Nut 1/4" UNC	4	4	
42	526	Safety Track	3	3	
43	38560	Isolator, Neopreme	1	1	
44	1023	Bolt 1/2" x 4"	1	1	
45	20235	Washer Snubbing	3	3	
46	20860	Nut 1/2" UNC	1	1	
47	31581	Rear Belly Shield	1	1	

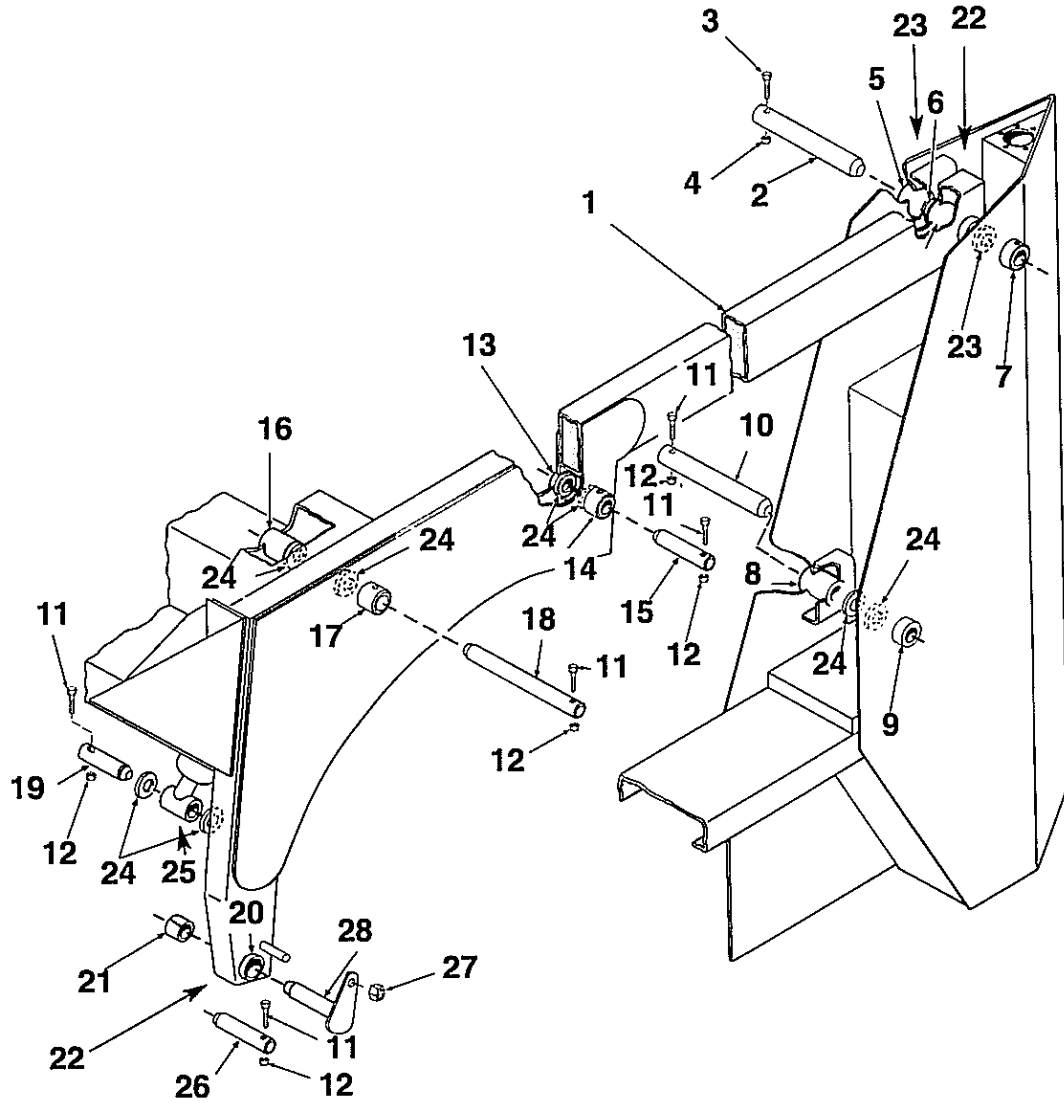


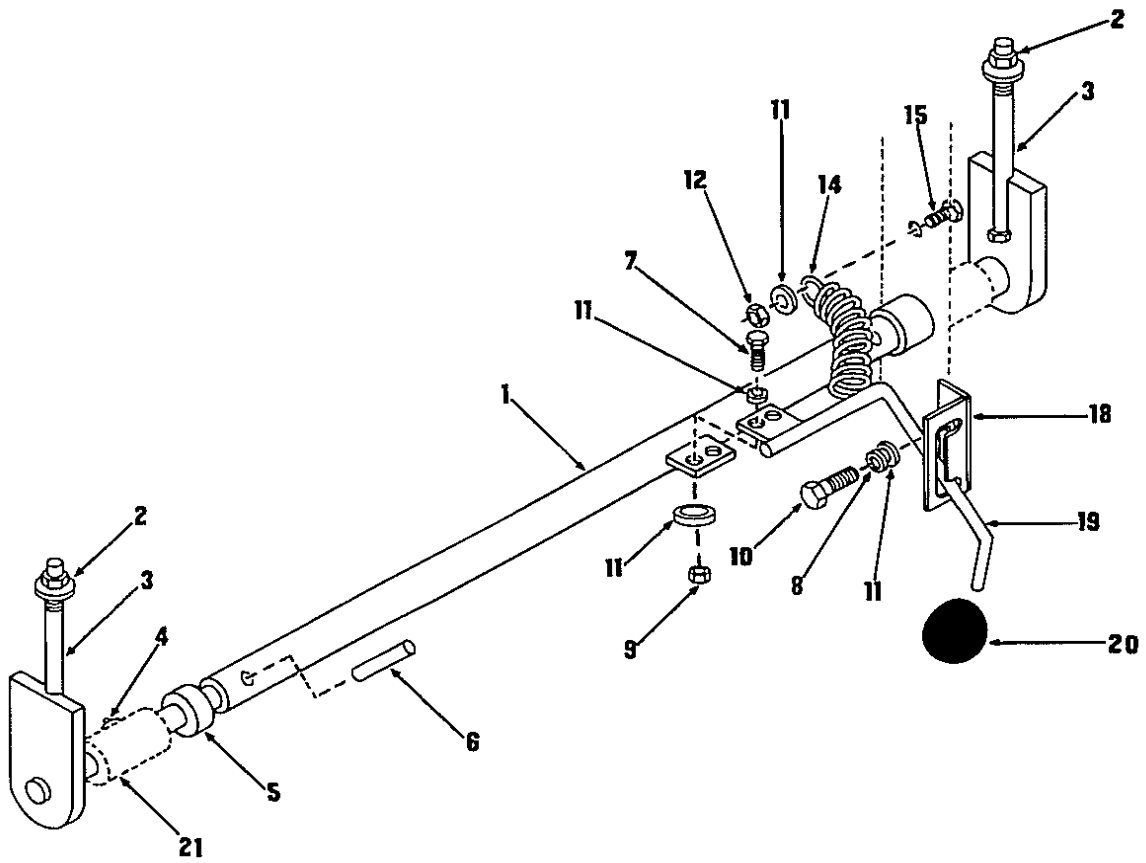


Boom Lock

1.8

REF. NO.	PART NO.	DESCRIPTION	T173 HL'S'	T173 HL'S'II	SERIAL NO.
1	40010	Lock Bushing	2	2	
2	40367	Lock Pin	2	2	
3	35449	Grease Zerk	2	2	
4	1350	Nut, 1/4" UNC	2	2	
5	40337	Locking, Pin Arm	2	2	
6	2593	Bolt, 5/16" x 1 1/2" UNC	2	2	
7	6356	Washer, Loc 5/16"	2	2	
8	1650	Washer, Flat 5/16"	2	2	
9	6086	Captive Nut 5/16"	2	2	
10	39546	Knob	2	2	
11	38797	Panel Lock	1	1	
12	42491	Spring	1	1	

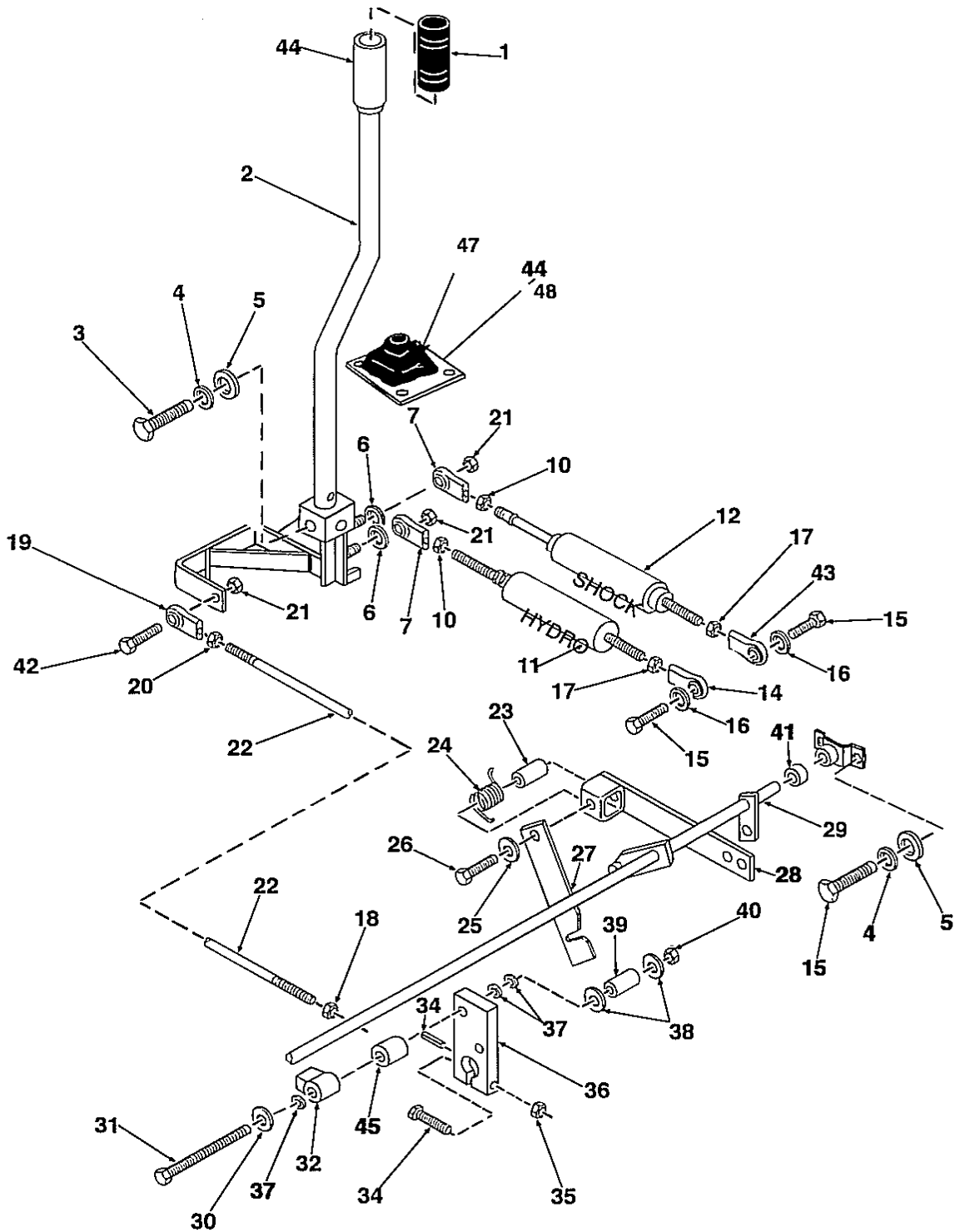




CONTROLS 2.

A-11	Control Levers (R.H. Side).....	2.1
A-12	Control Levers (L.H. Side).....	2.1.1
B-1	Foot Pedals.....	2.2
B-2	Throttle.....	2.3
B-3	Restraint Bar and Brake Cable.....	2.4

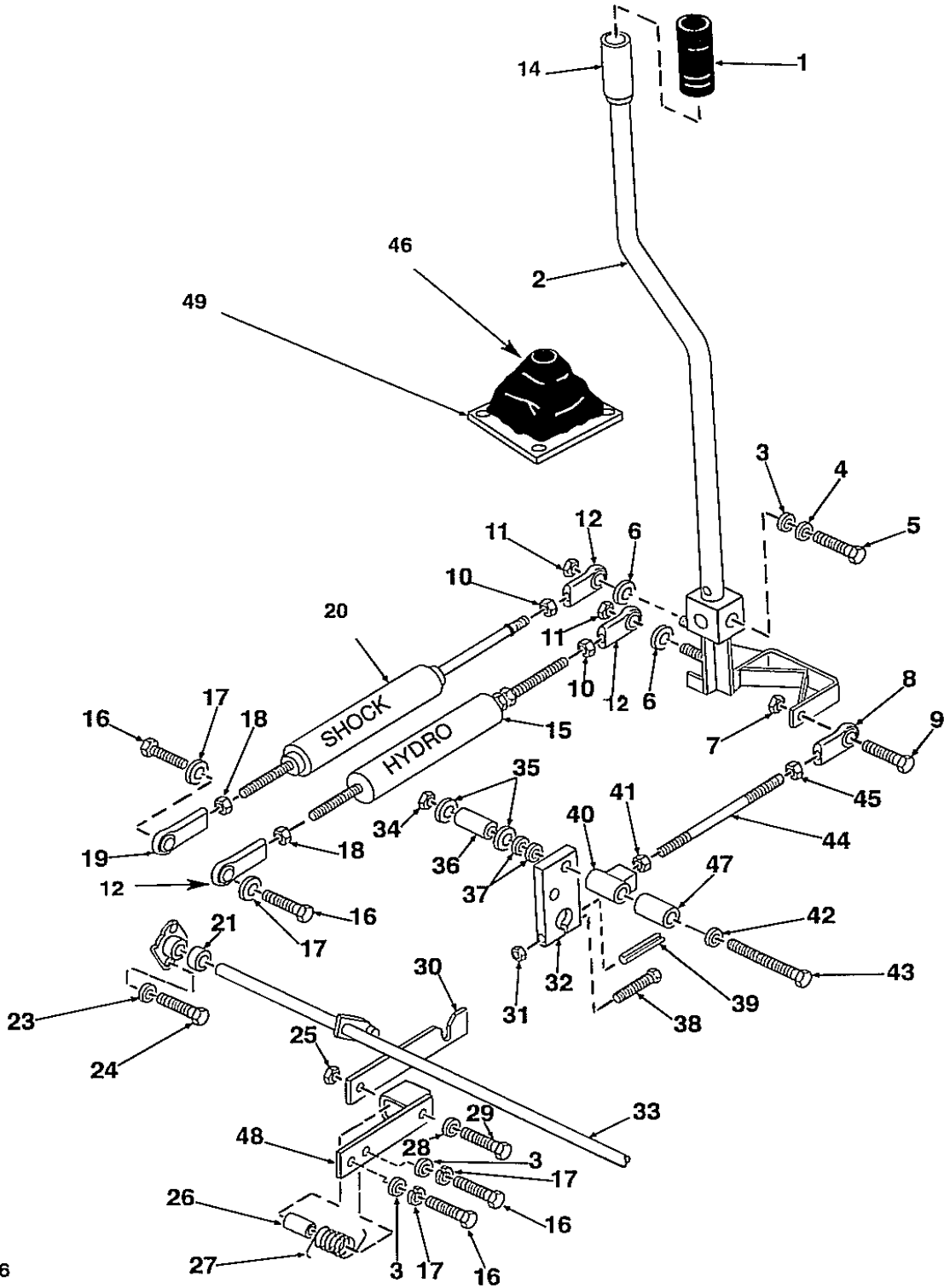




Control Lever (R.H. Side)

2.1

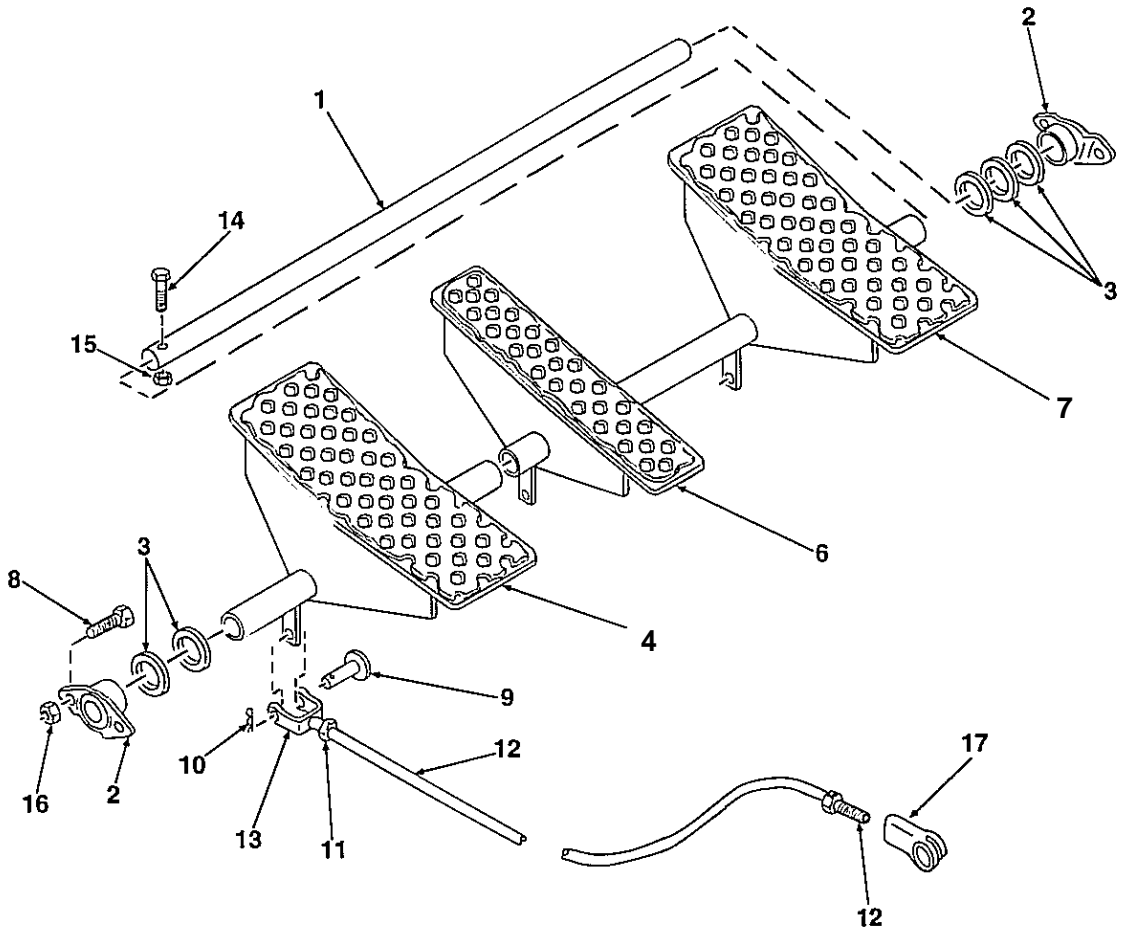
REF. NO.	PART NO.	DESCRIPTION	T173 HL'S'	T173 HL'S'II	SERIAL NO.
1	3189	Lever Grip	1	1	
2	960975	Control Lever Assy. RH	1	-	
2	961286	Control Lever Assy. RH	-	1	
3	1673	Bolt, Hex. 3/8" x 3/4" UNC Gr. 5	1	1	
4	1642	Washer, Lock 3/8"	1	1	
5	1643	Washer, Flat 3/8"	1	1	
6	21174	Washer, .390 ID x 5/8" OD x 7	2	2	
7	5803	Rod End Assy .375 Female	2	2	
10	1898	Nut, Hex. 3/8" UNF	2	2	
11	959090	Hydroback Assy	1	1	
12	14860	Shock Absorber	1	1	
14	5803	Rod End Assy .375 Female	2	2	
15	1193	Bolt, Hex. 3/8" x 1 UNC	2	2	
16	1642	Washer, Lock 3/8"	2	2	
17	1898	Nut, Hex. 3/8" UNF	2	2	
18	35316	Nut, Hex. 3/8" UNF Gr. 5	1	1	
19	5803	Rod End Assy .375 Female	1	1	
20	1898	Nut, Hex. 3/8" UNF	1	1	
21	7465	Nut, Nylok 3/8" UNC	3	3	
22	40305	R.H. Pintle Linkage Rod	1	1	
23	23012	Pivot, Bushing	1	1	
24	956137	Spring, Xmsn. .115W Dia. x 1.043	1	1	
25	1643	Washer, Flat 3/8"	1	1	
26	14620	Bolt, Hex. 3/8" x 2 3/4" UNC Gr. 5	1	1	
27	29982	Arm, Lock	1	1	
28	960836	Pintle Lock Pivot, R.H.	1	1	
29	960840	Pintle Unlock Shaft Assy	1	1	
30	29384	Washer, Fender 3/8" ID x 1 1/2" OD	1	1	
31	22810	Bolt, Hex. 3/8" x 3 3/4" UNC Gr. 5	1	1	
32	966497	Rod End, Isolated L.H. Thread	1	1	
33	14916	Roll Pin 3/8" x 1 1/2"	1	1	
34	3313	Bolt 1/4" UNC x 2" L.	1	1	
35	1350	Nut, 1/4" UNC	1	1	
36	17167	Pintle Lever	1	1	
37	21174	Washer, .390 ID x 5/8" OD x 7 Ga.	3	3	
38	29384	Washer, Fender 3/8" ID x 1 1/2" OD	2	2	
39	29349	Bushing, .500 OD x .391 ID x .625	1	1	
40	7465	Nut, Nylok 3/8" UNC	1	1	
41	29066	Collar, Set 1/2" Dia.	1	1	
42	1672	Bolt, Hex. 3/8" x 1 1/2" UNC Gr. 5	1	1	
43	15880	Rod End Assy	1		
44	960878	Lever Handle, 12 mm	1		
44	961303	Lever Handles, 14 mm	1	1	
45	37854	Rod End Spacer	1	1	
46	29065	Bearing, 1/2 in. flange	1	1	
47	30501	Boot	1	1	
48	42229	Boot Cover	1	1	
*	31744	Bolt, Self Tapping 1/4 in.	4	4	

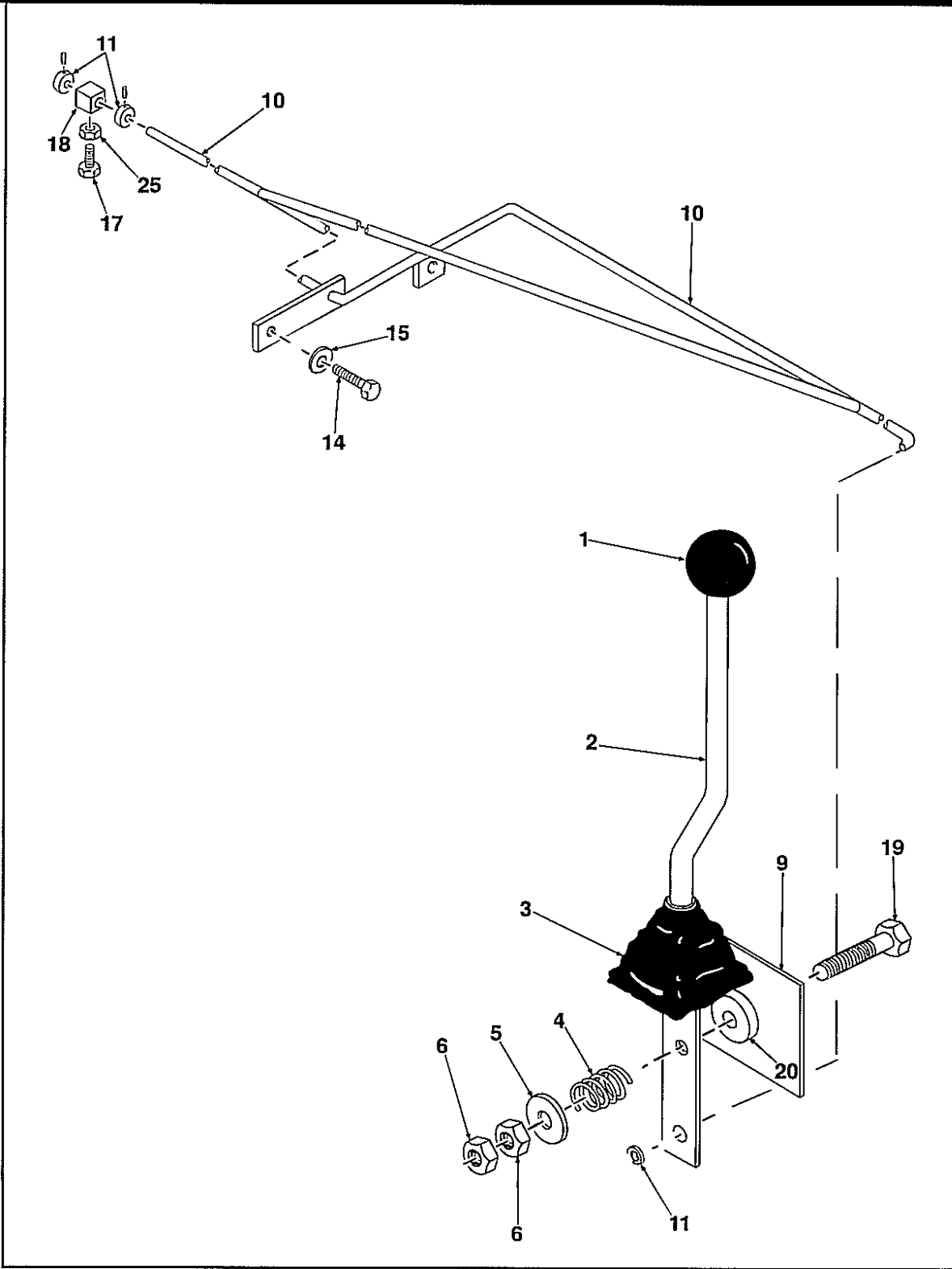


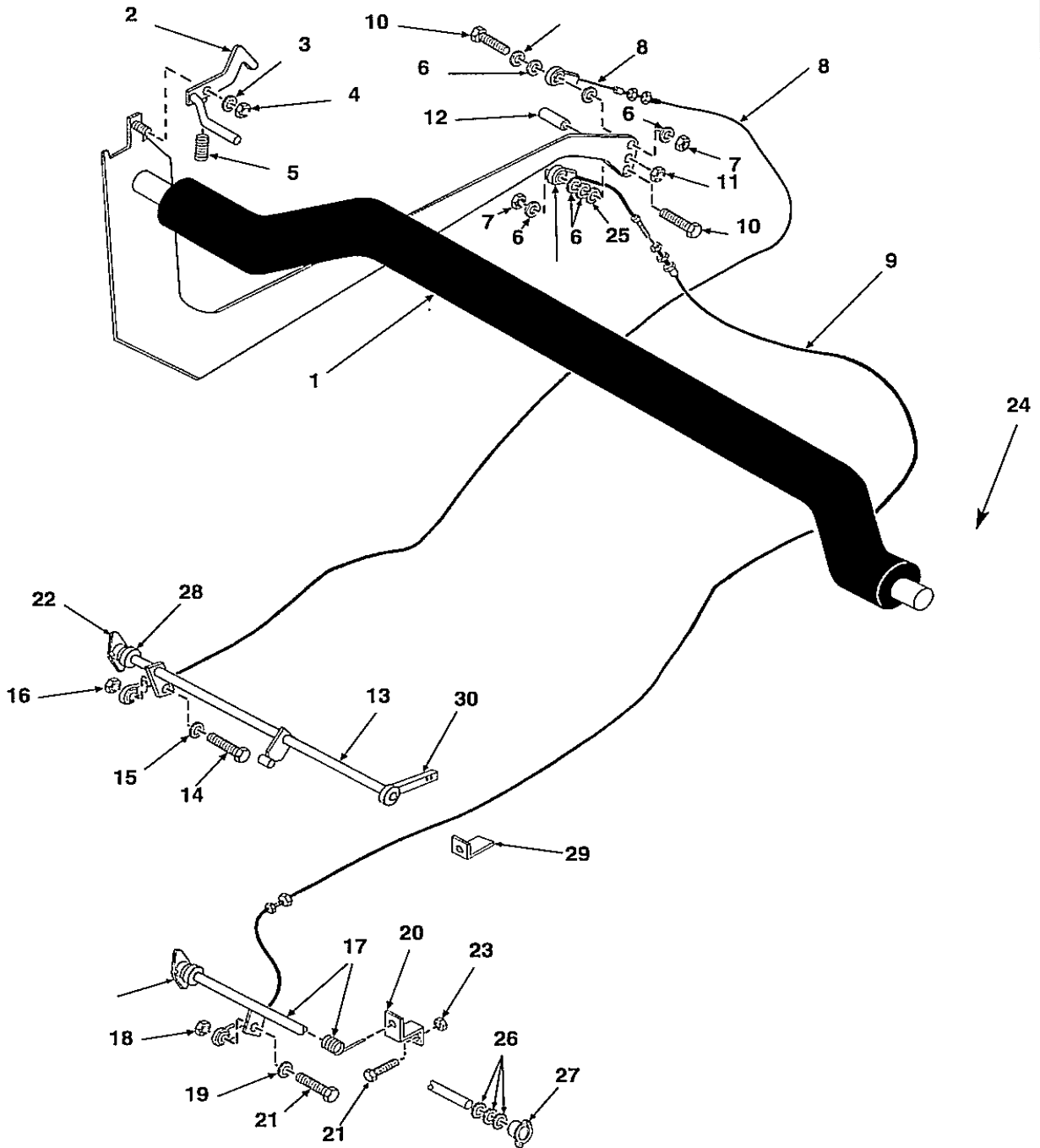
Control Lever (L.H. Side)

2.1-1

REF. NO.	PART NO.	DESCRIPTION	T173 HL'S'	T173 HL'S'II	SERIAL NO.
1	3189	Lever Grip	1	1	
2	960974	LH Control Lever Assy	1	-	
2	961285	LH Control Lever Assy	-	1	
3	1643	Washer, Flat 3/8"	1	1	
4	1642	Washer, Lock 3/8"	1	1	
5	1673	Bolt, Hex. 3/8" x 3/4" UNC Gr.5	1	1	
6	21174	Washer, .390 ID x 5/8" OD x 7 GA.	2	2	
7	7465	Nut, Nylok 3/8" UNC	3	3	
8	5803	Rod End Assy .375 Female	1	1	
9	1672	Bolt, Hex. 3/8" x 1 1/2" UNC Gr. 5	1	1	
10	1898	Nut, Hex. 3/8" UNF	2	2	
11	7465	Nut, Nylok 3/8" UNC	3	3	
12	5803	Rod End Assy, .375 Female	1	1	
14	960878	Lever Handle, 12 mm		1	
14	961303	Lever, Handle, 14 mm	1	1	
15	959090	Hydroback Assy	1	1	
16	1193	Bolt, Hex. 3/8" x 1" UNC	2	2	
17	1642	Washer, Lock 3/8"	2	2	
18	1898	Nut, Hex. 3/8" UNF	2	2	
19	15880	Rod End Assy	1	1	
20	14860	Shock Absorber	1	1	
21	29066	Collar, Set 1/2" Dia.	1	1	
22	29065	Bearing, Flange	1	1	
23	2279	Washer, Lock 1/4"	2	2	
24	2663	Bolt, Hex. 1/4" x 3/4" UNC Gr 5	2	2	
25	7465	Nut, Nylok 3/8" UNC	1	1	
26	23012	Pivot Bushing	1	1	
27	956137	Spring, Xmsn. 115W Dia. x 1.043	1	1	
28	1643	Washer, Flat 3/8"	1	1	
29	14620	Bolt, Hex. 3/8" x 2 3/4" UNC Gr. 5	1	1	
30	40156	Pintle Lock Pivot LH	1	1	
31	1350	Nut, 1/4" UNC	1	1	
32	17167	Pintle Lever	1	1	
33	960840	Pintle Unlock Shaft Assy	1	1	
34	7465	Nut, Nylok 3/8" UNC	1	1	
35	29384	Washer, Fender 3/8" ID x 1 1/2" OD	2	2	
36	29349	Bushing, .500 OD x .391 ID x .625	1	1	
37	21174	Washer, .390 ID x 5/8" OD x 7 Ga.	3	3	
38	3313	Bolt, 1/4" UNC x 2" L.	1	1	
39	14916	Roll Pin 3/8" x 1 1/2" L.	1	1	
40	966497	Rod End, Isolated, LH Thread	1	1	
41	35316	Nut, Hex. 3/8" UNF Gr. 5	1	1	
42	29384	Washer, Fender 3/8" ID x 1 1/2" OD	1	1	
43	22810	Bolt, Hex. 3/8" x 3 3/4" UNC Gr. 5	1	1	
44	40306	LH Pintle Linkage Bar	1	1	
45	1898	Nut, Hex. 3/8" UNF	1	1	
46	30501	Boot	1	1	
47	37854	Rod End Spacer	1	1	
48	960837	Pintle Lock Pivot Assy LH	1	1	
49	42229	Boot Cover	1	1	
*	31744	Bolts, self tapping	4	4	



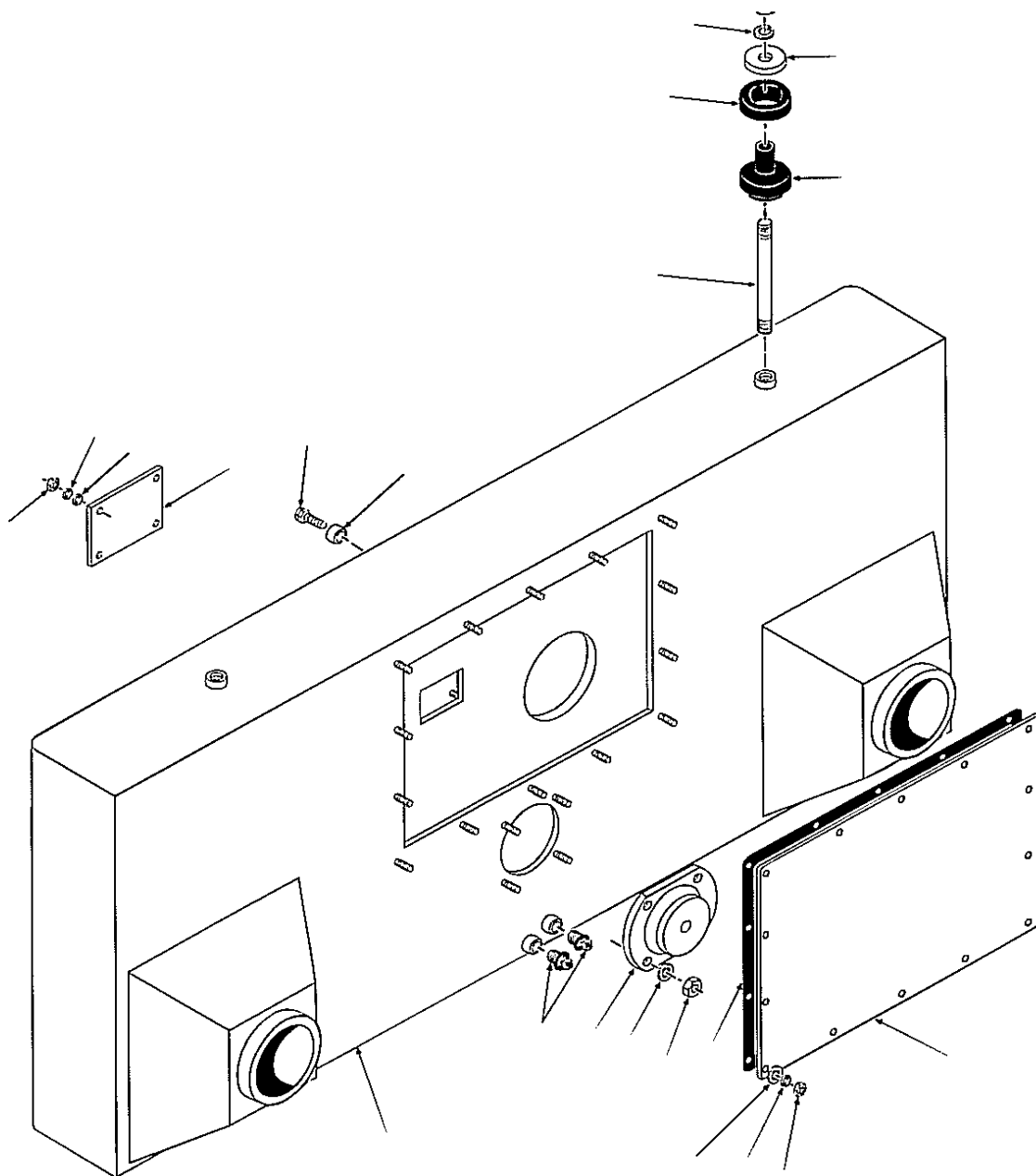




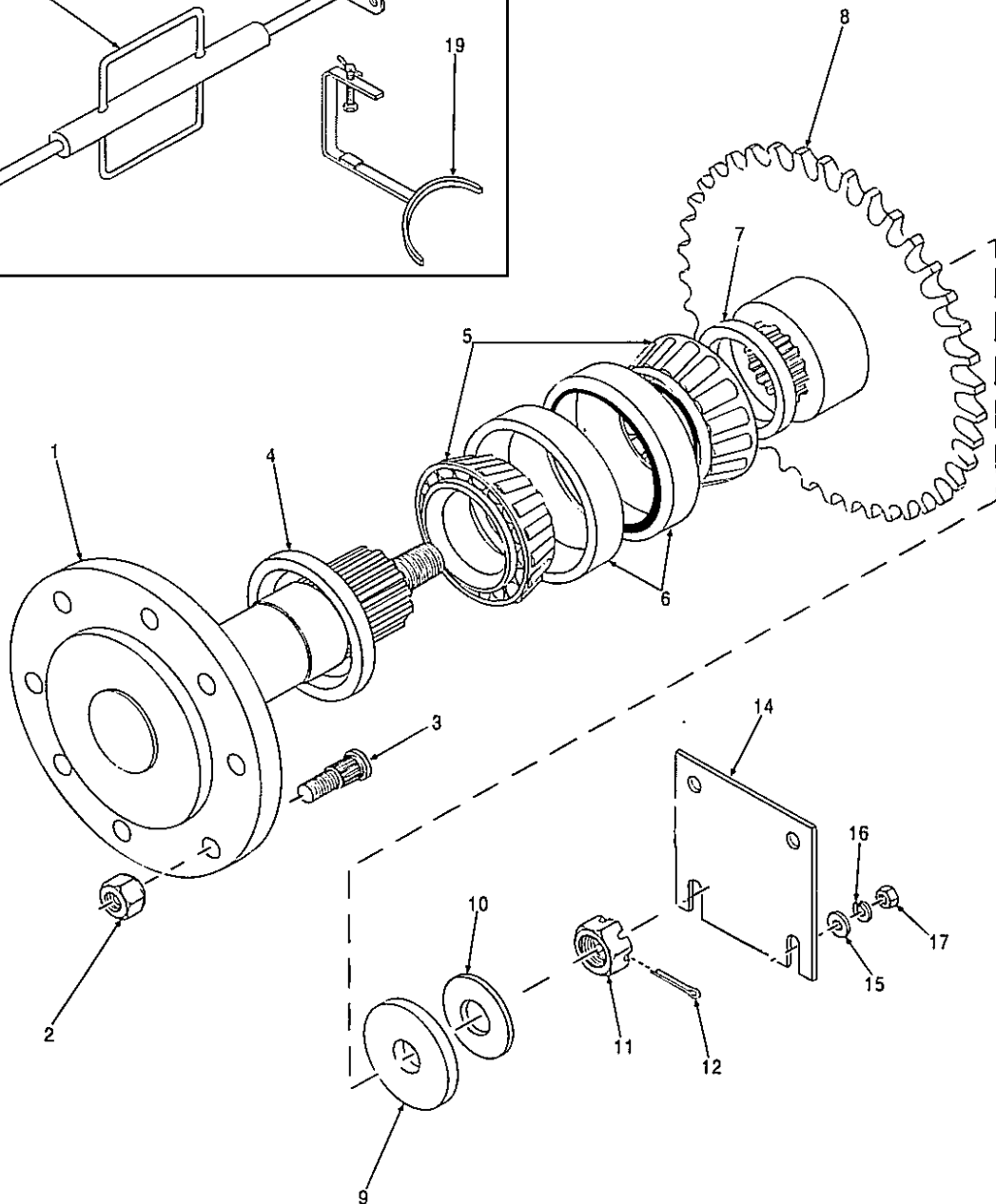
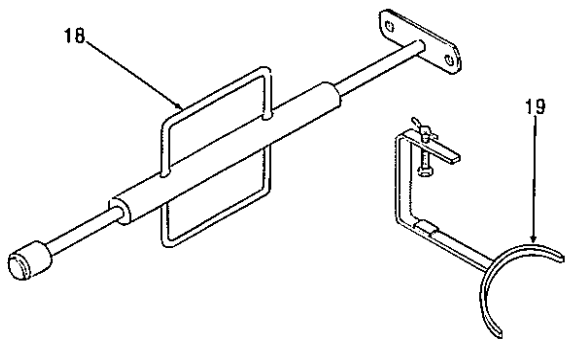
FINAL DRIVE TRANSMISSION 3.

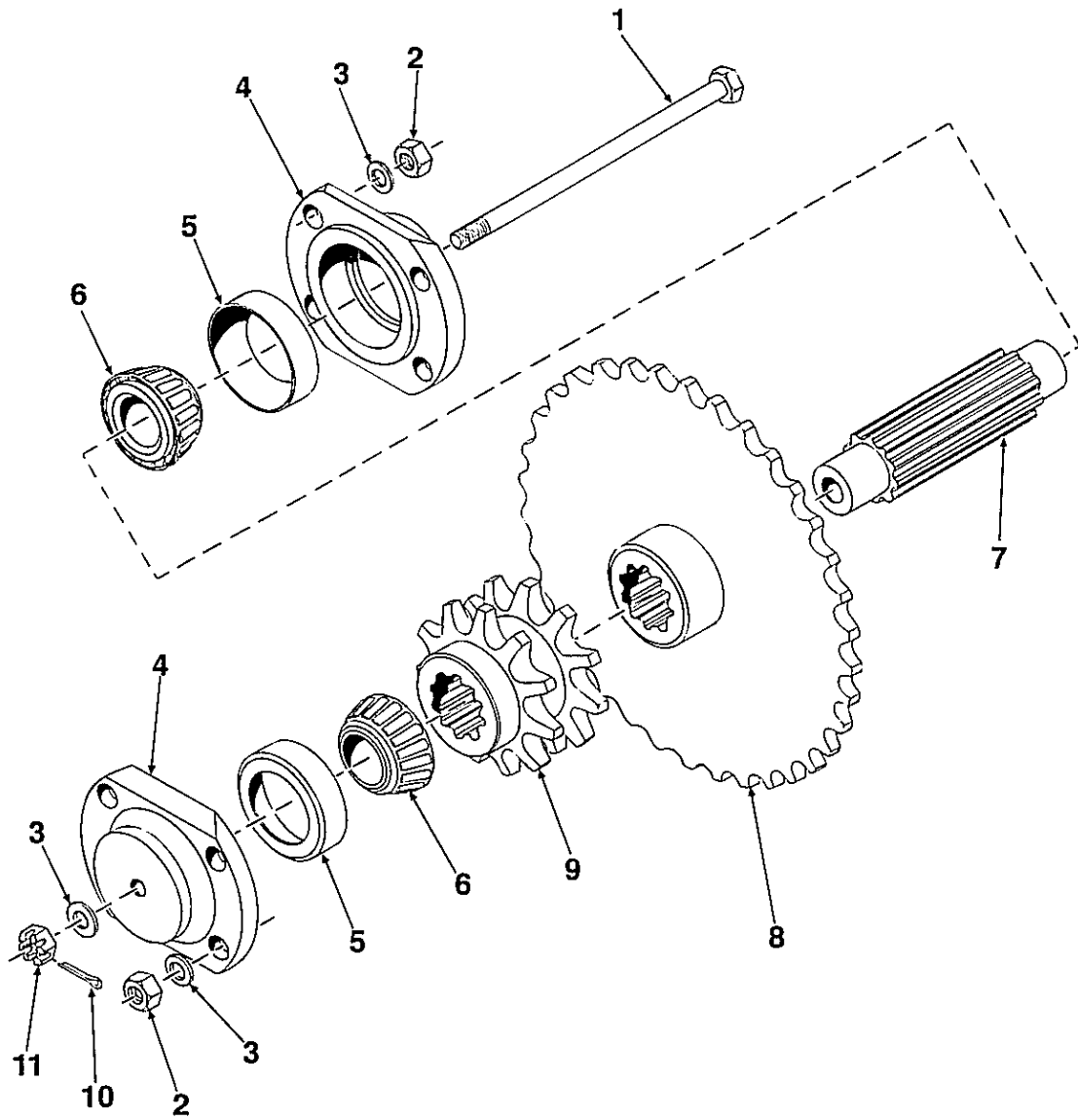
B-4	Transmission Housing.....	3.1
B-5	Axle Assy.....	3.2
B-6	Idler Sprocket and Drive Chains.....	3.3
B-7	Parking Brake.....	3.4

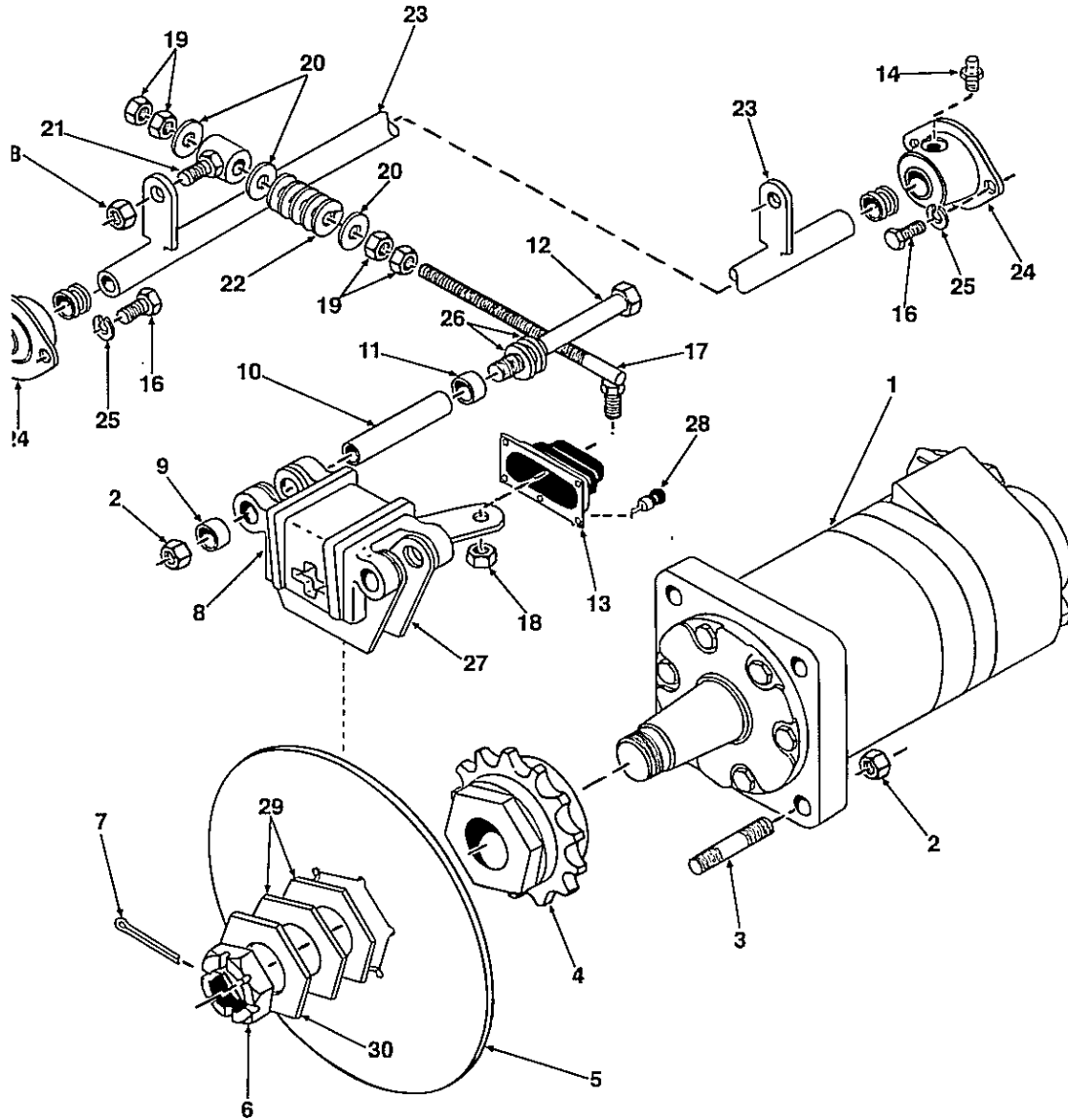
**FINAL
DRIVE
TRANSMISSION**



SPECIAL TOOLS



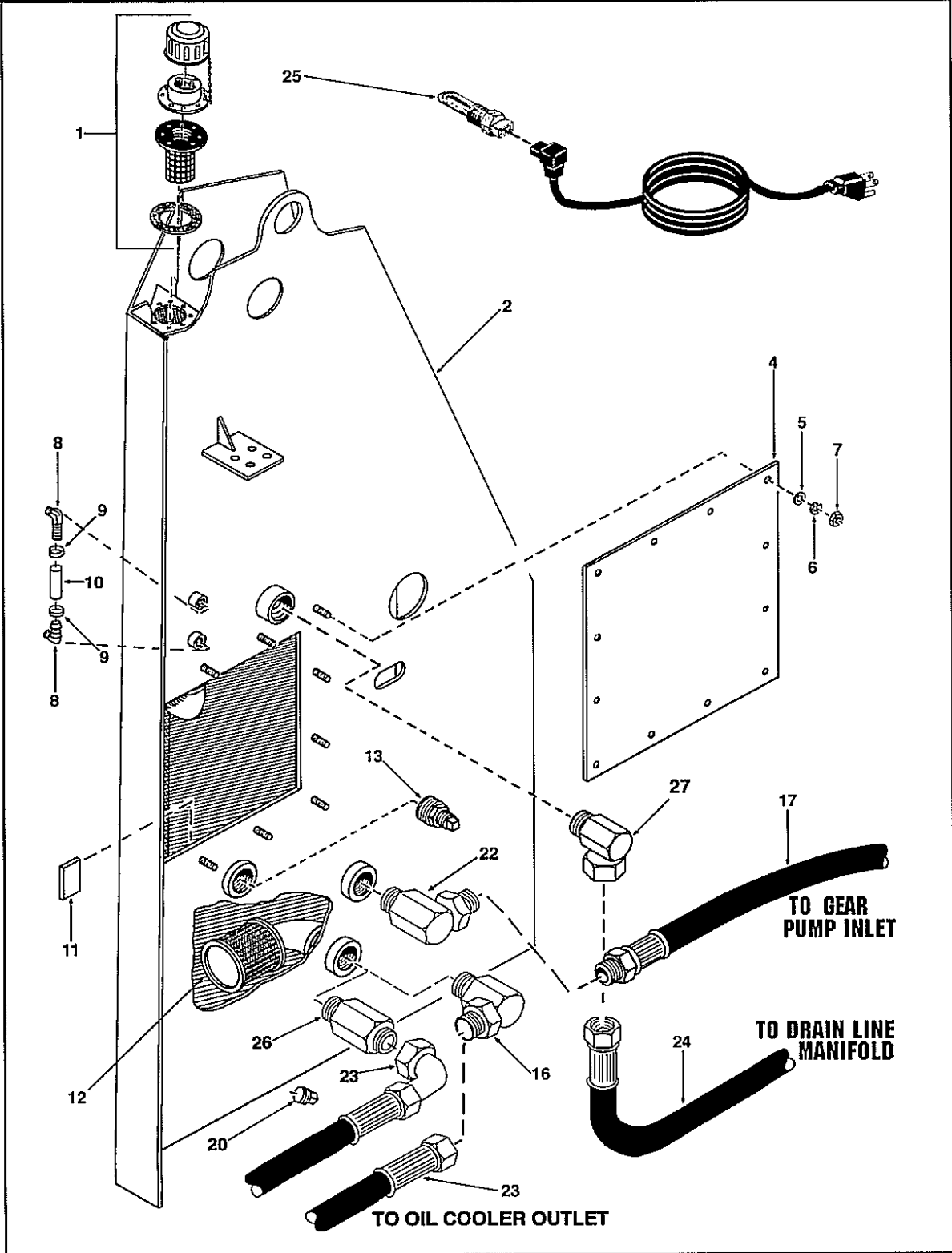


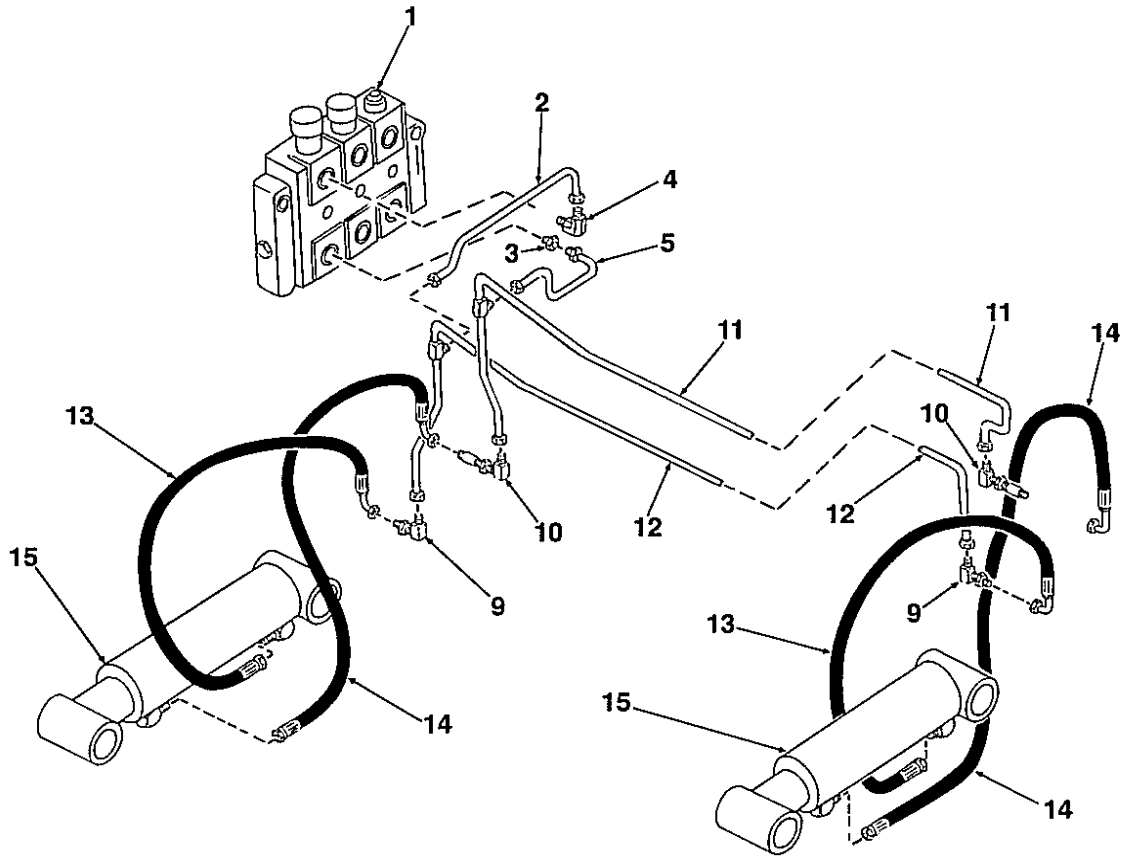


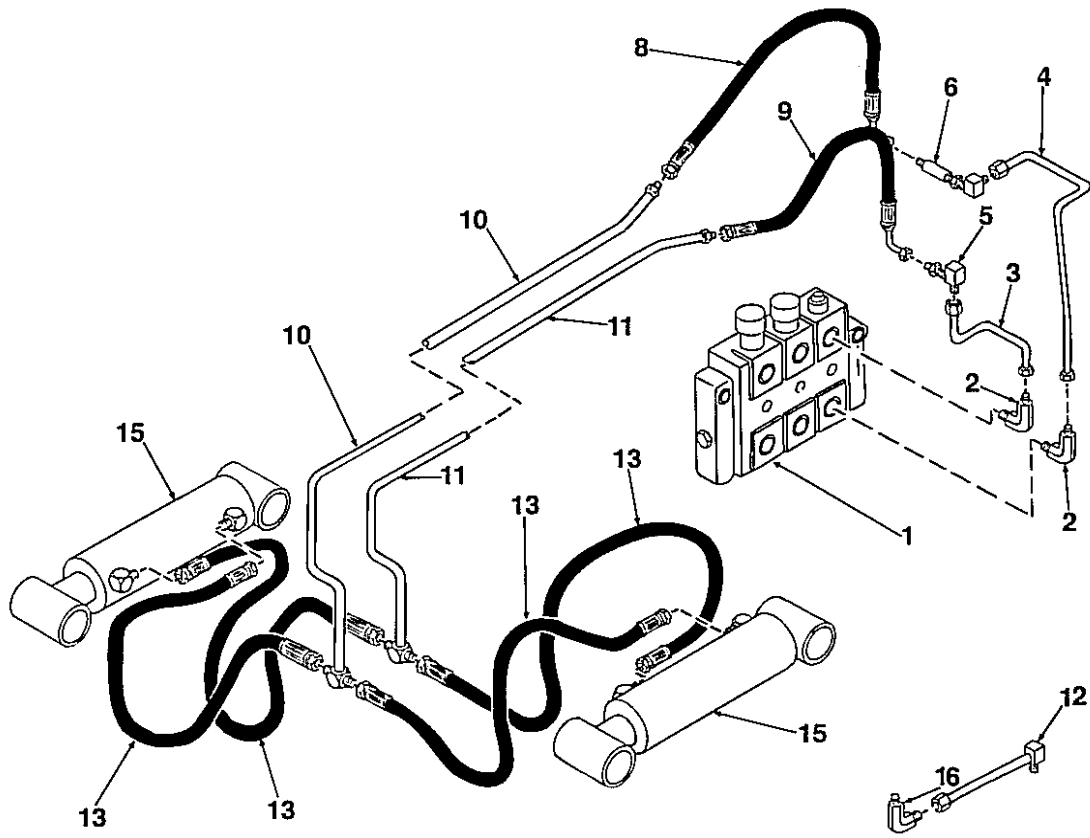
HYDRAULIC SYSTEM 4.

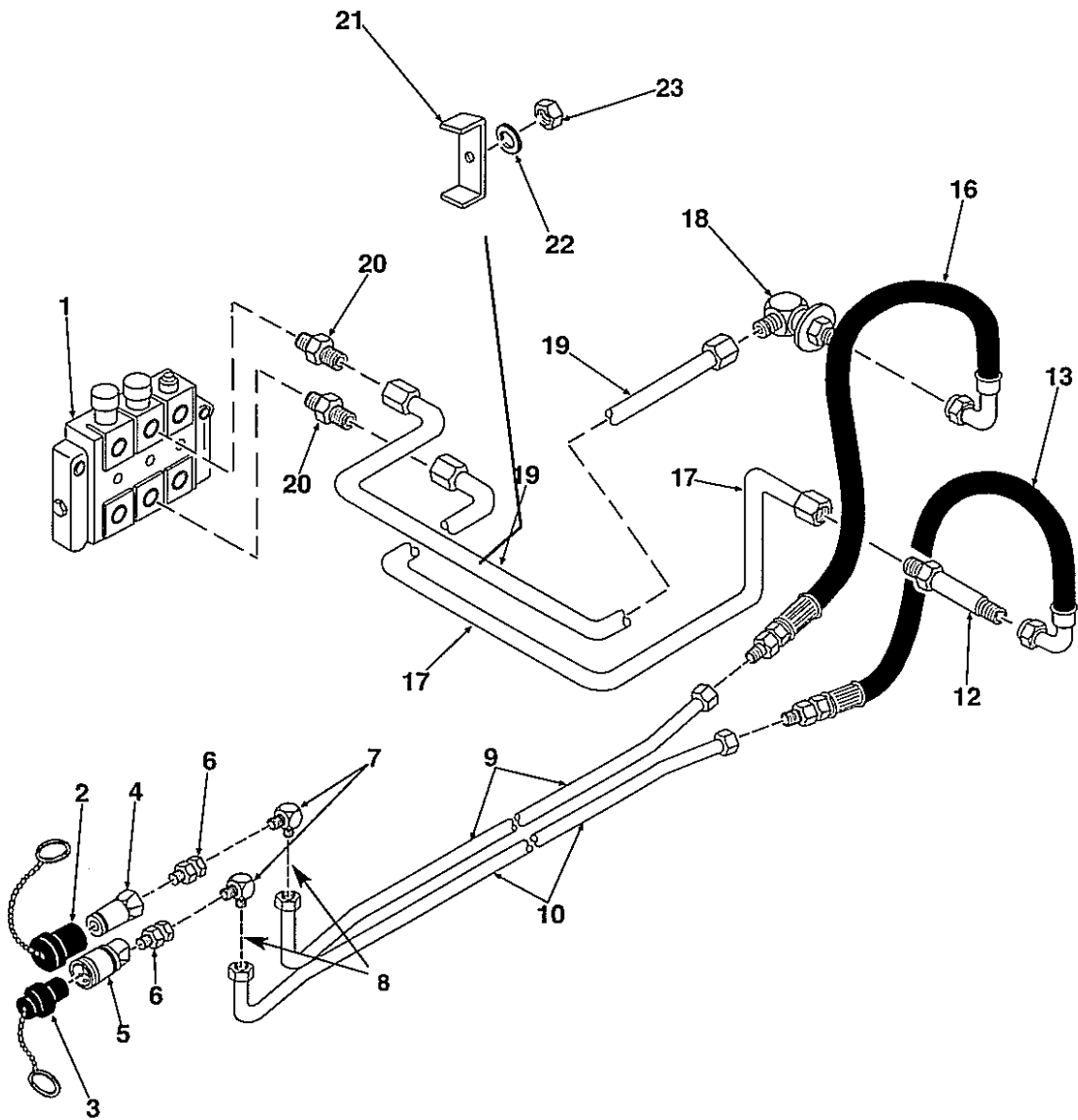
B-8	Oil Reservoir.....	4.1
B-9	Boom Lift Circuit.....	4.2
B-10	Bucket Tilt Circuit.....	4.3
B-11	Auxiliary Hydraulic Circuit.....	4.4
B-12	Auxiliary Gear Pump.....	4.5
C-1	Control Valve.....	4.6
C-2	Control Valve Locks.....	4.6.1
C-3	Hydraulic Oil Cooler and Filter.....	4.7
C-4	Lift Cylinder.....	4.8
C-5	Tilt Cylinder.....	4.9

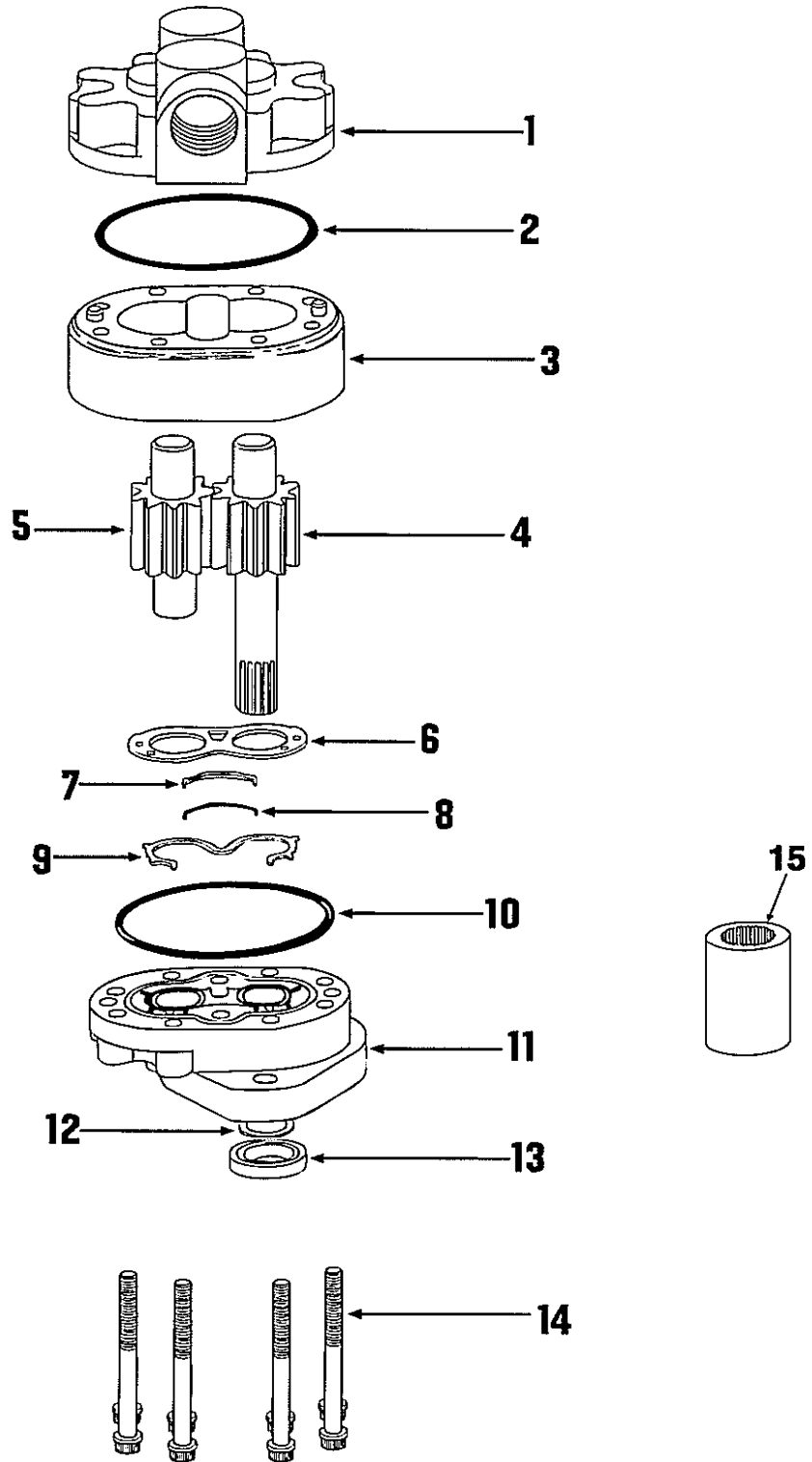
**HYDRAULIC
SYSTEM**

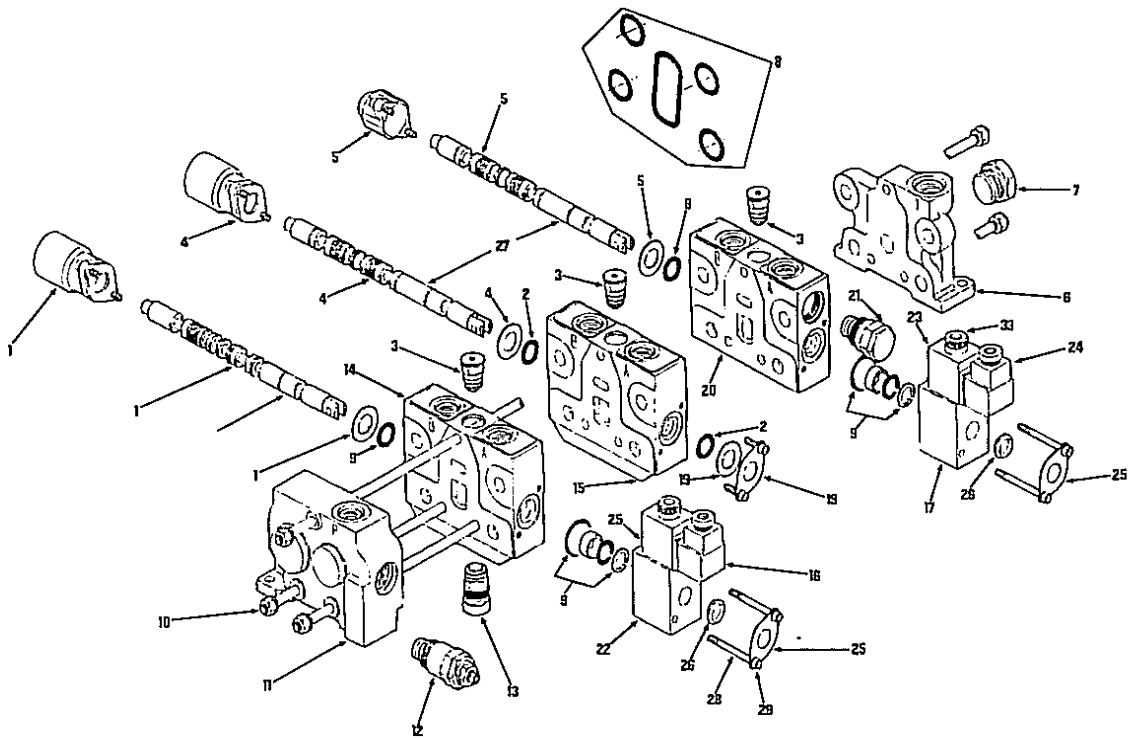


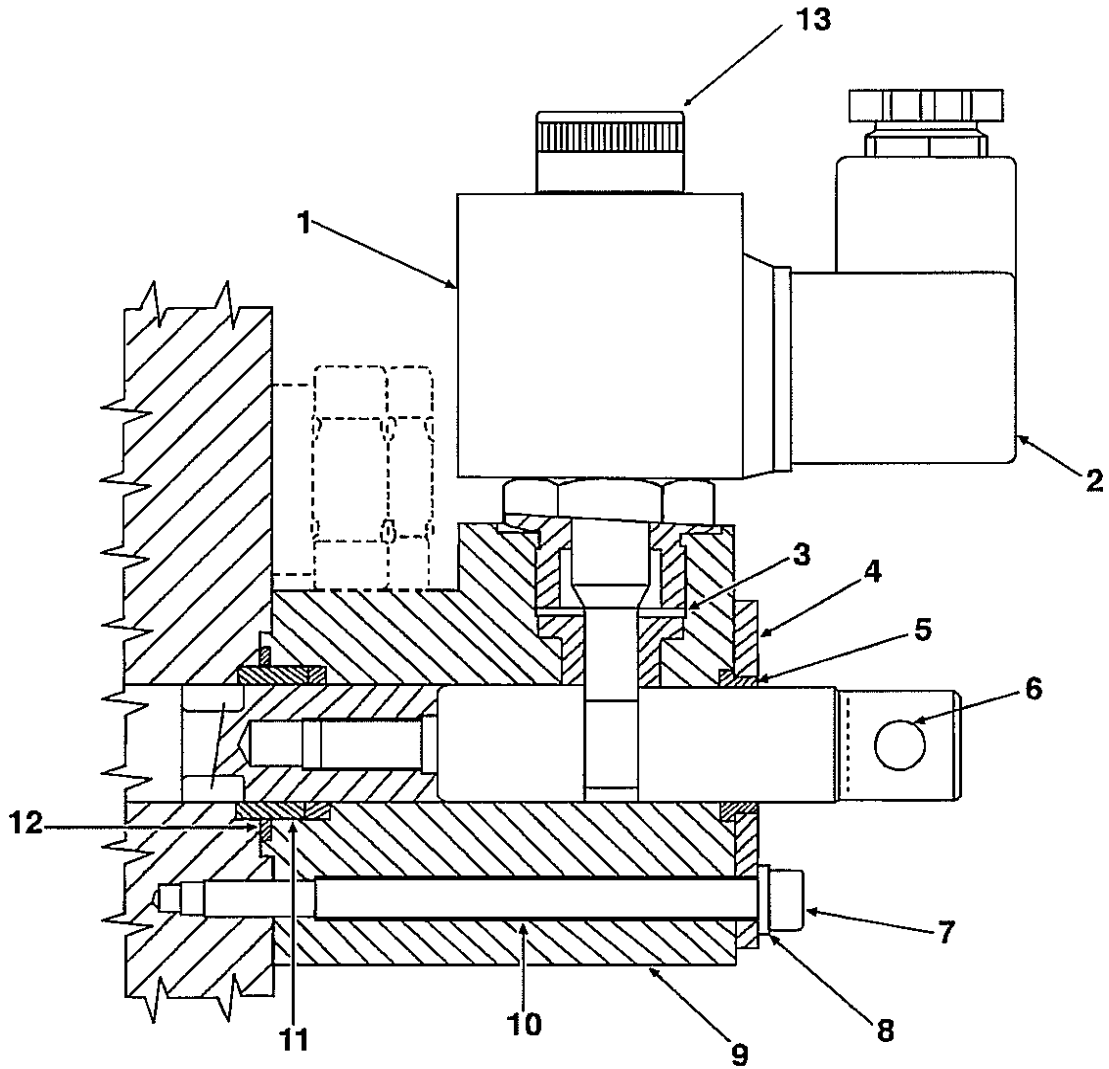


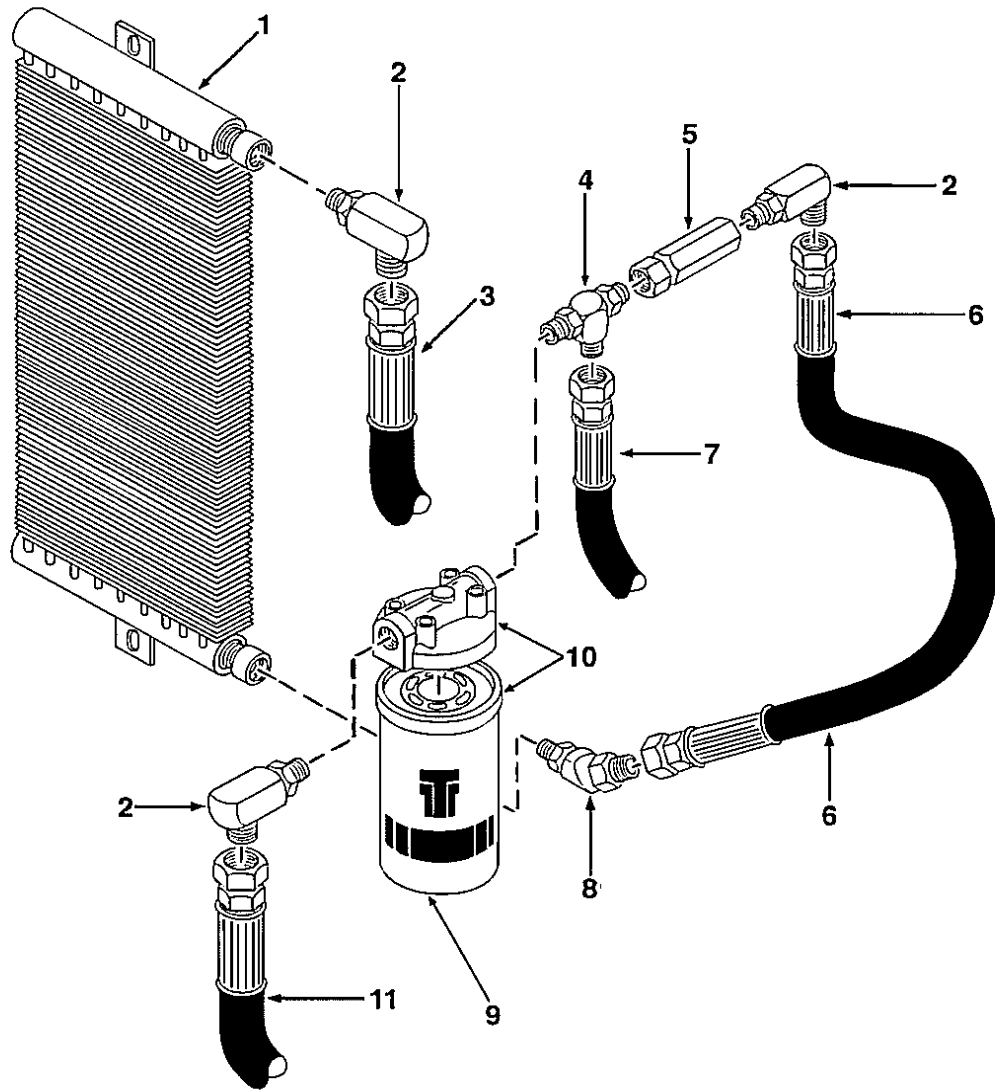


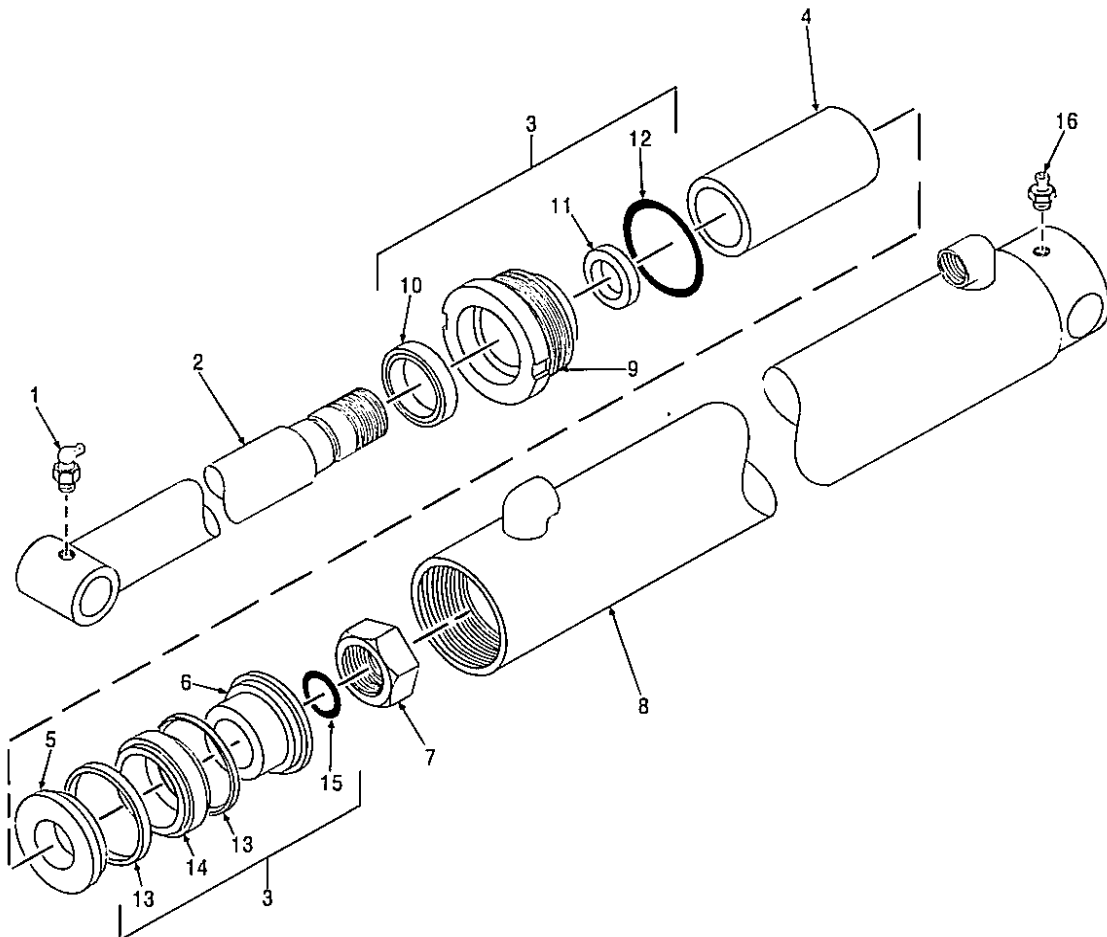












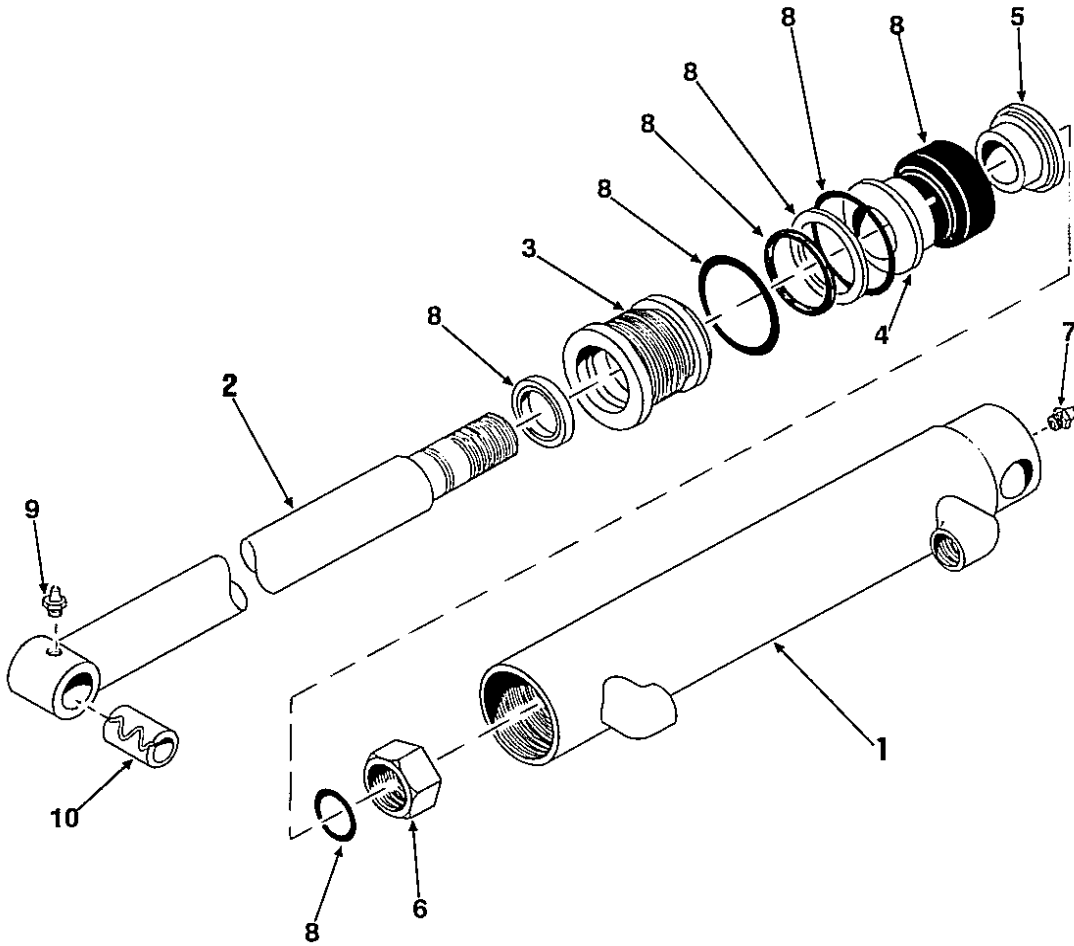
Lift Cylinder

4.8

REF. NO.	PART NO.	DESCRIPTION	T173 HL'S'	T173 HL'S'	SERIAL NO.
	37792	Lift Cylinder 2 1/2" x 32" x 45" Stroke	2	2	
1	35451	Grease Fitting 1/8 NPT x 90°	1	1	
2	38581	Piston Rod assy 1 1/2 in.	1	1	
3	29875	Complete Seal Kit	1	1	
4	30013	Spacer	1	1	
5	29979	Piston Front Section	1	1	
6	29978	Piston Rear Section	1	1	
7	6297	Nut	1	1	
8	38582	Cylinder Barrel	1	1	
9	29860	Cylinder Head	1	1	
10	NSP	Seal (See Item 3)	1	1	
11	NSP	Rod Seal (See Item 3)	1	1	
12	NSP	"O" Ring (See Item 3)	1	1	
13	NSP	Wear Ring (See Item 3)	2	2	
14	NSP	Piston Seal (See Item 3)	1	1	
15	NSP	"O" Ring (See Item 3)	1	1	
16	35449	Grease Fitting 1/8" NPT	1	1	

Heavy Duty Lift Cylinder

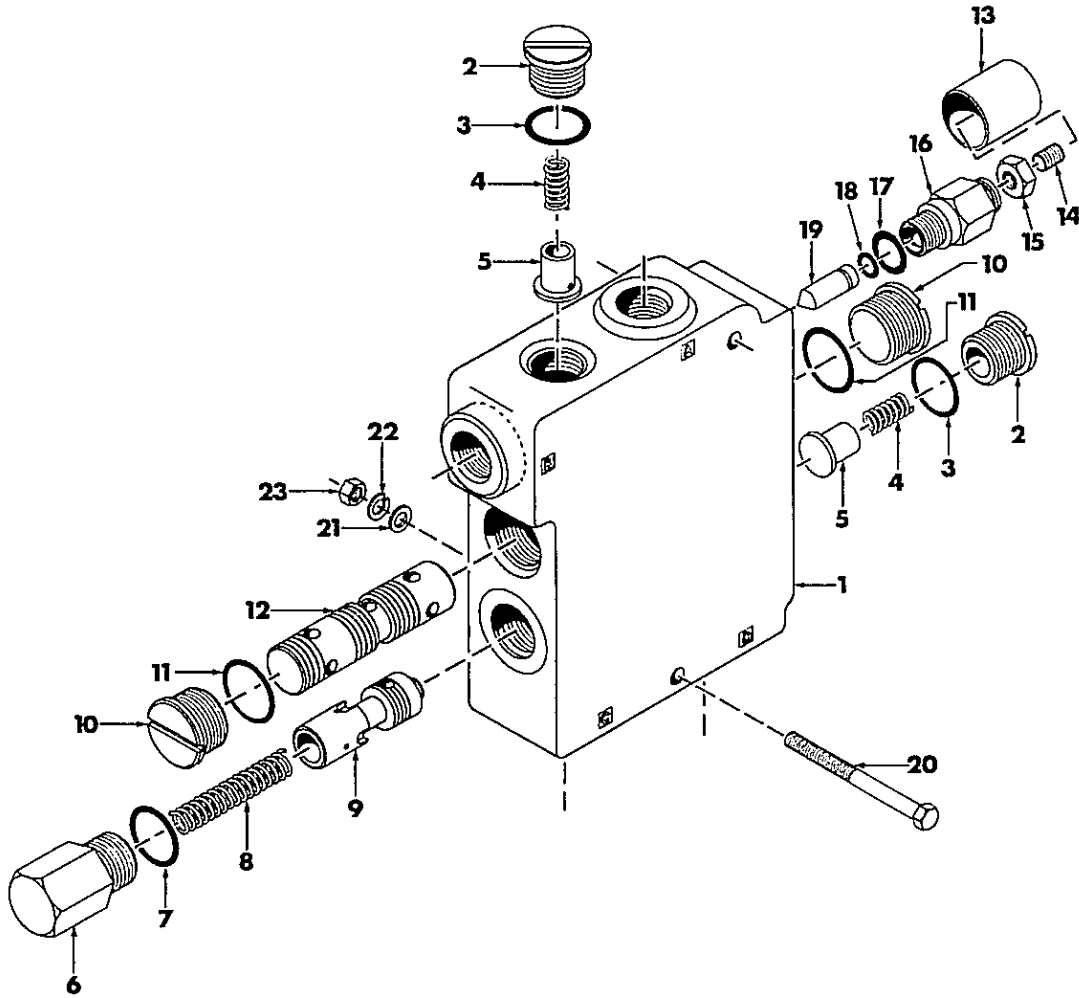
REF. NO.	PART NO.	DESCRIPTION	T173 HL'S'	T173 HL'S'	SERIAL NO.
	37793	Lift Cylinder 3" x 32" x 45"	2	2	
1	35451	Grease Fitting 1/8" NPT 90	1	1	
2	38583	Piston Rod Assy , 2 in.	1	1	
3	29878	Seal Kit	1	1	
4	30027	Spacer Tube	1	1	
5	29861	Piston Part B	1	1	
6	29862	Piston Part A	1	1	
7	29896	Hex. Lock Nut	1	1	
8	38584	Cylinder Barrel	1	1	
9	30026	Head Plate	1	1	
10	NSP	Seal (See Item 3)	1	1	
11	NSP	Rod Seal (See Item 3)	1	1	
12	NSP	"O" Ring (See Item 3)	1	1	
13	NSP	Wear Ring (See Item 3)	1	1	
14	NSP	Piston Seal (See Item 3)	1	1	
15	NSP	"O" Ring (See Item 3)	1	1	
16	35449	Grease Fitting 1/8" NPT	1	1	



Tilt Cylinder

4.8.1

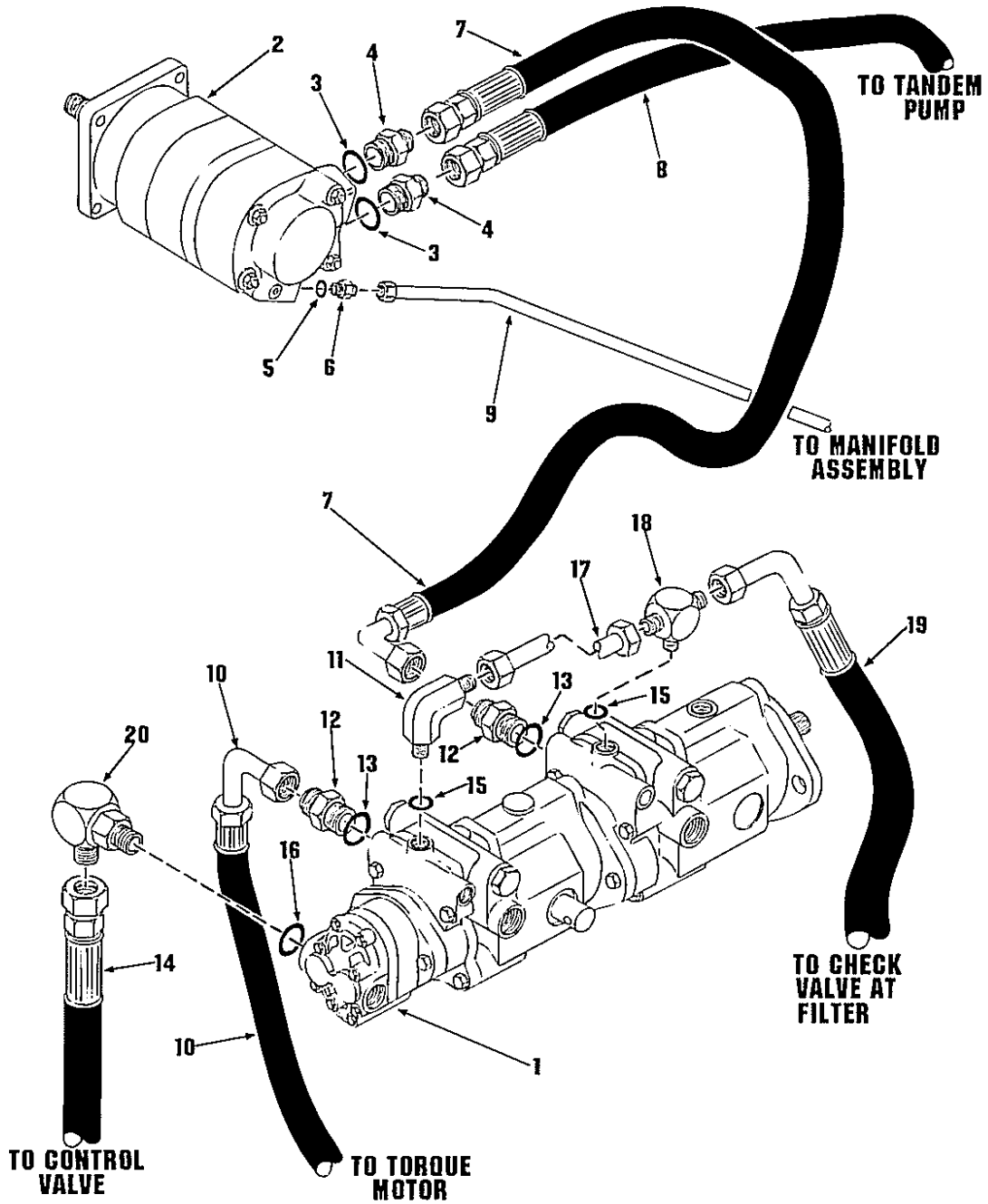
REF. NO.	PART NO.	DESCRIPTION	T173 HL'S'	T173 HL'S'II	SERIAL NO.
		To S/N LK000929			
	37791	Tilt Cylinder 2.5" x 16" x 23	2	-	
1	38580	Cylinder Tube	1	-	
2	38579	Piston Rod	1	-	
3	29860	Head Plate	1	-	
4	29979	Piston Part B	1	-	
5	29978	Piston Part A	1	-	
6	6297	Hex. Lock Nut	1	-	
7	35451	Grease Zerk 90°	1	-	
8	29875	Seal Kit Complete	1	-	
9	35449	Grease Zerk	1	-	
10	38589	Bushing, Hardened	1	-	
		S/N LK000930-LK000971 except 606 and 607			
	41420	Tilt Cylinder 2.5" x 15.5" x 23.25"	-	2	
1	Call Parts	Cylinder Tube with added spacer	-	1	
2	38579	Piston Rod	-	1	
3	29860	Head Plate	-	1	
4	29979	Piston Part B	-	1	
5	29978	Piston Part A	-	1	
6	6297	Hex. Lock Nut	-	1	
7	35451	Grease Zerk 90°	-	1	
8	29875	Seal Kit Complete	-	1	
9	35449	Grease Zerk	-	1	
10	38589	Bushing, Hardened	-	1	
		LK000972-Onward and 606 and 607			
	33153	Tilt Cylinder 3.0" x 15.5" x 23.25	-	2	
1	33155	Cylinder Tube	-	1	
2	42850/42851	Piston Rod	-	1	
3	33868	Head Plate	-	1	
4	29861	Piston Part B	-	1	
5	29862	Piston Part A	-	1	
6	6297	Hex. Lock Nut	-	1	
7	35451	Grease Zerk 90*	-	1	
9	35449	Grease Zerk	-	1	
8	32511	Seal Kit Complete	-	1	
10	30641	Bushing, Hardened	-	1	

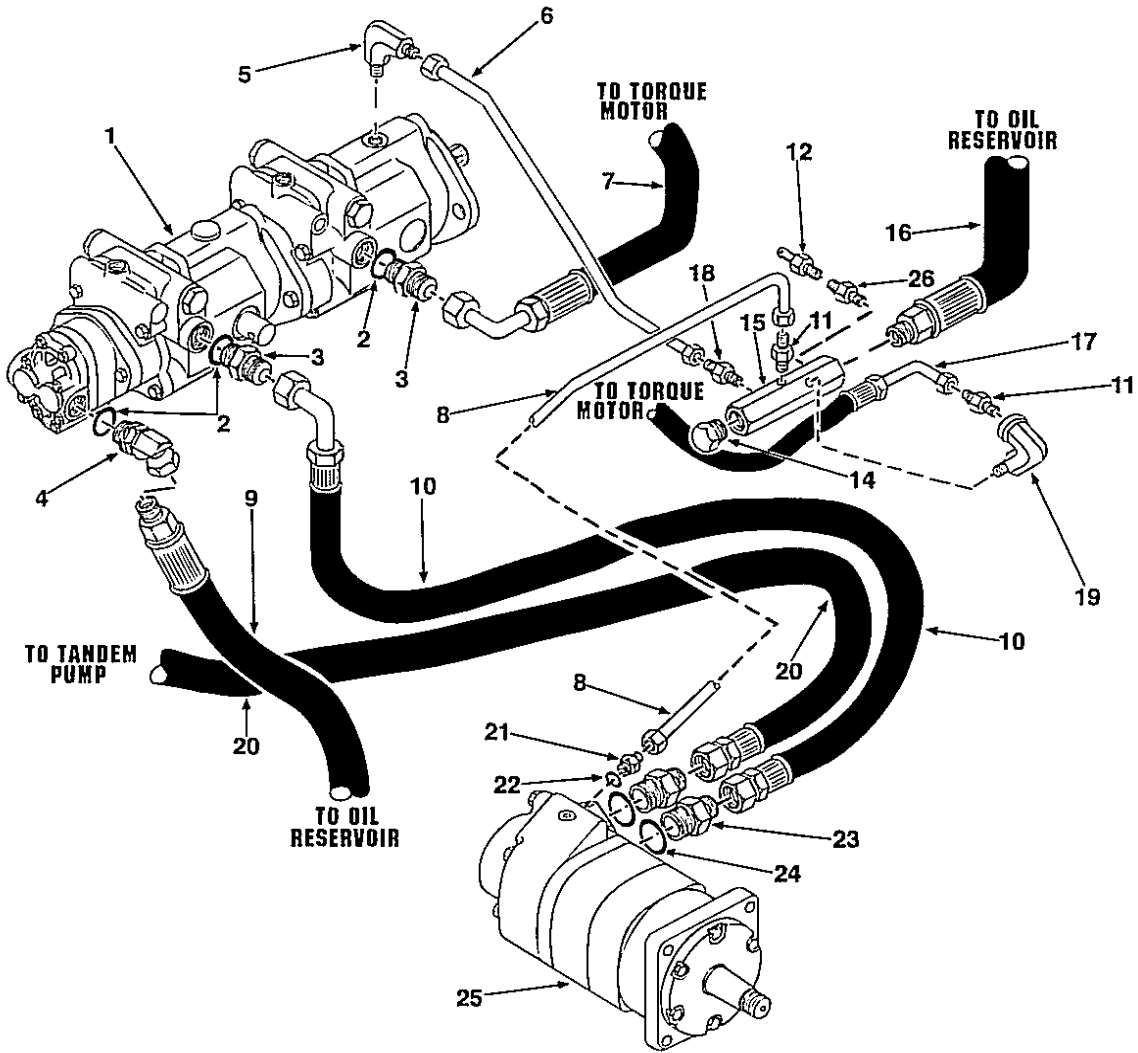


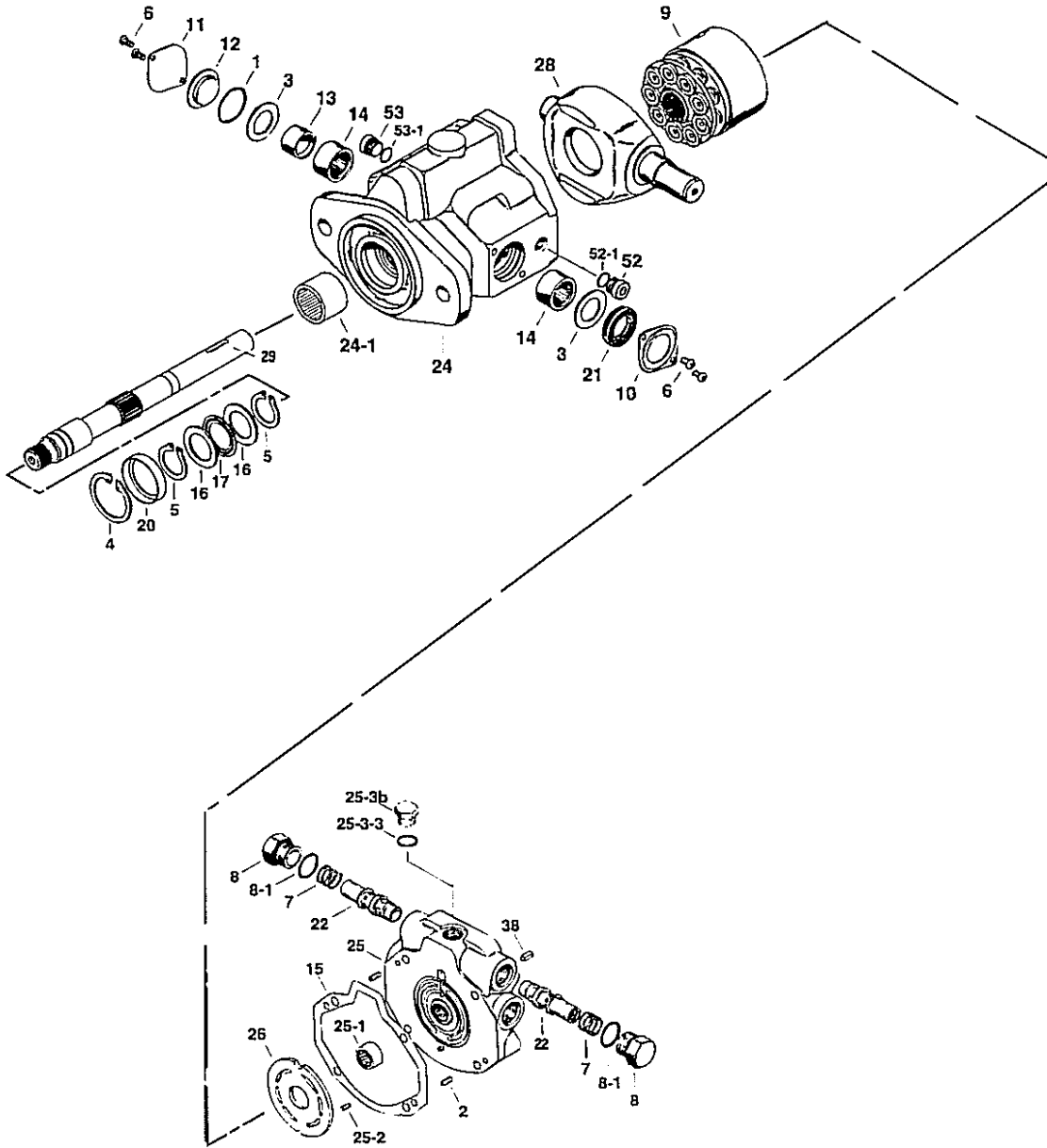
HYDROSTATIC DRIVE SYSTEM 5.

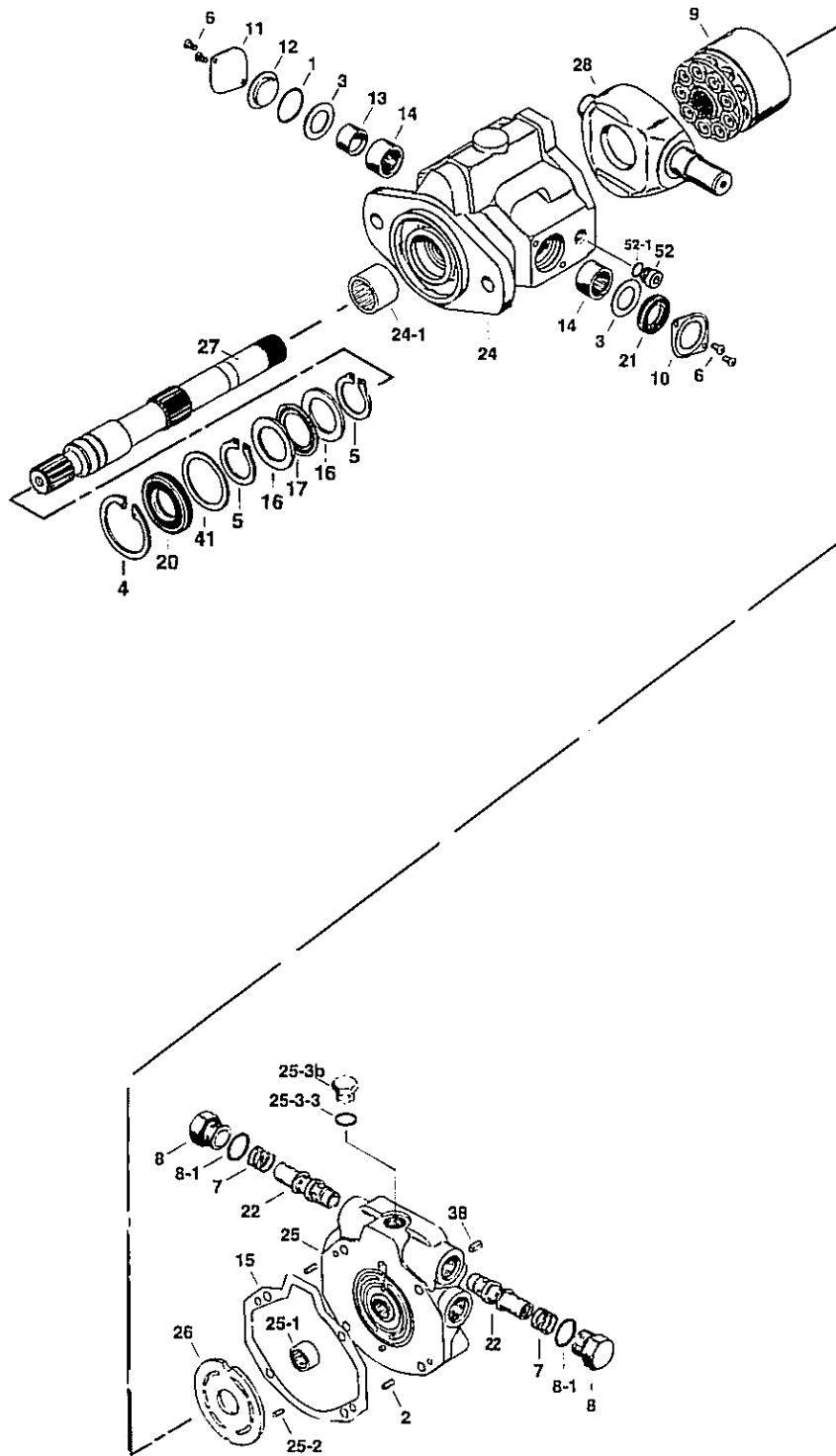
C7	Hydrostatic Drive Circuit (R.H. Side).....	5.1
C-8	Hydrostatic Drive Circuit (L.H. Side).....	5.1.1
C-9	Front Hydrostatic Pump.....	5.2
C-10	Rear Hydrostatic Pump.....	5.2.1
C-11	Torque Motor.....	5.3

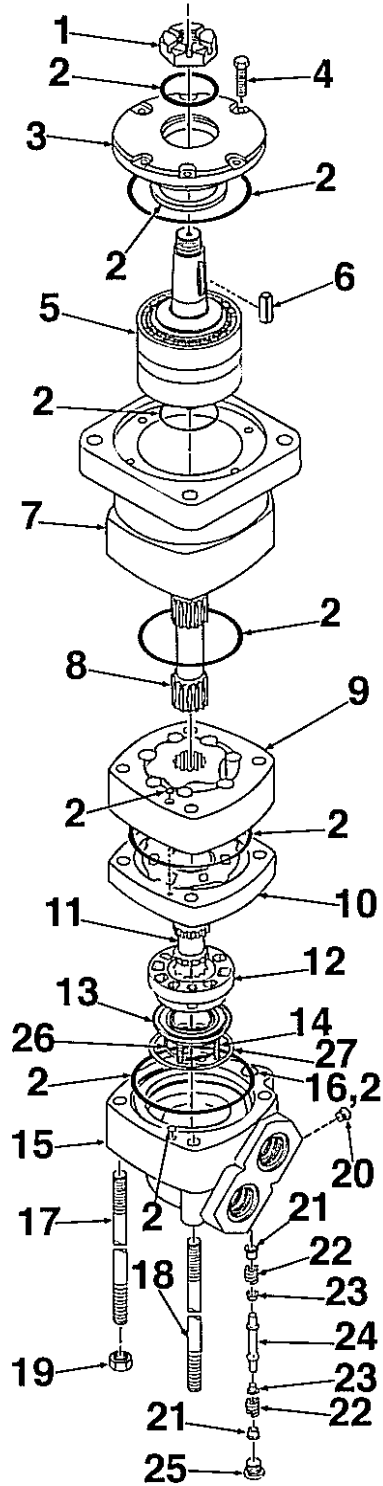
**HYDROSTATIC
SYSTEM**







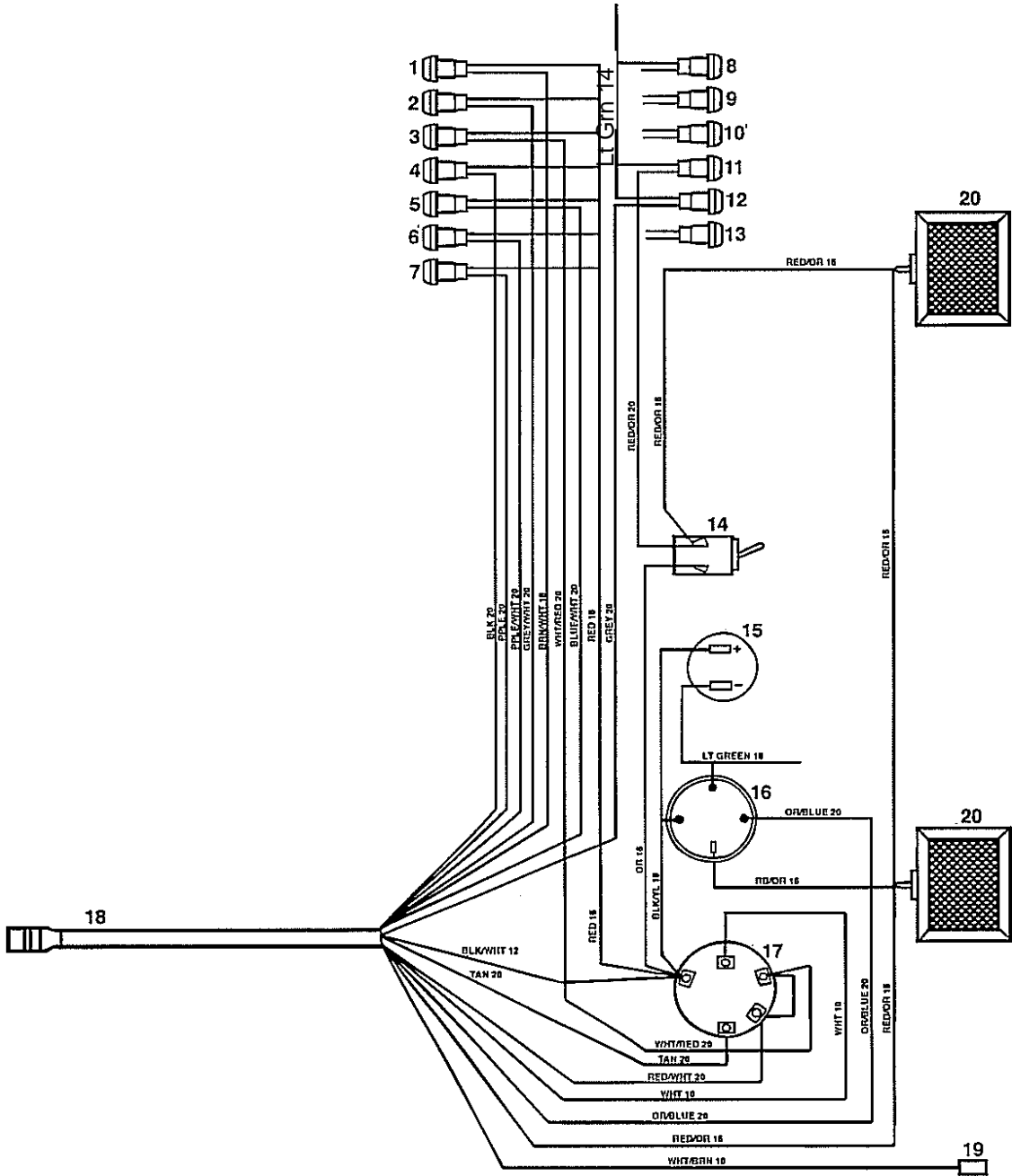


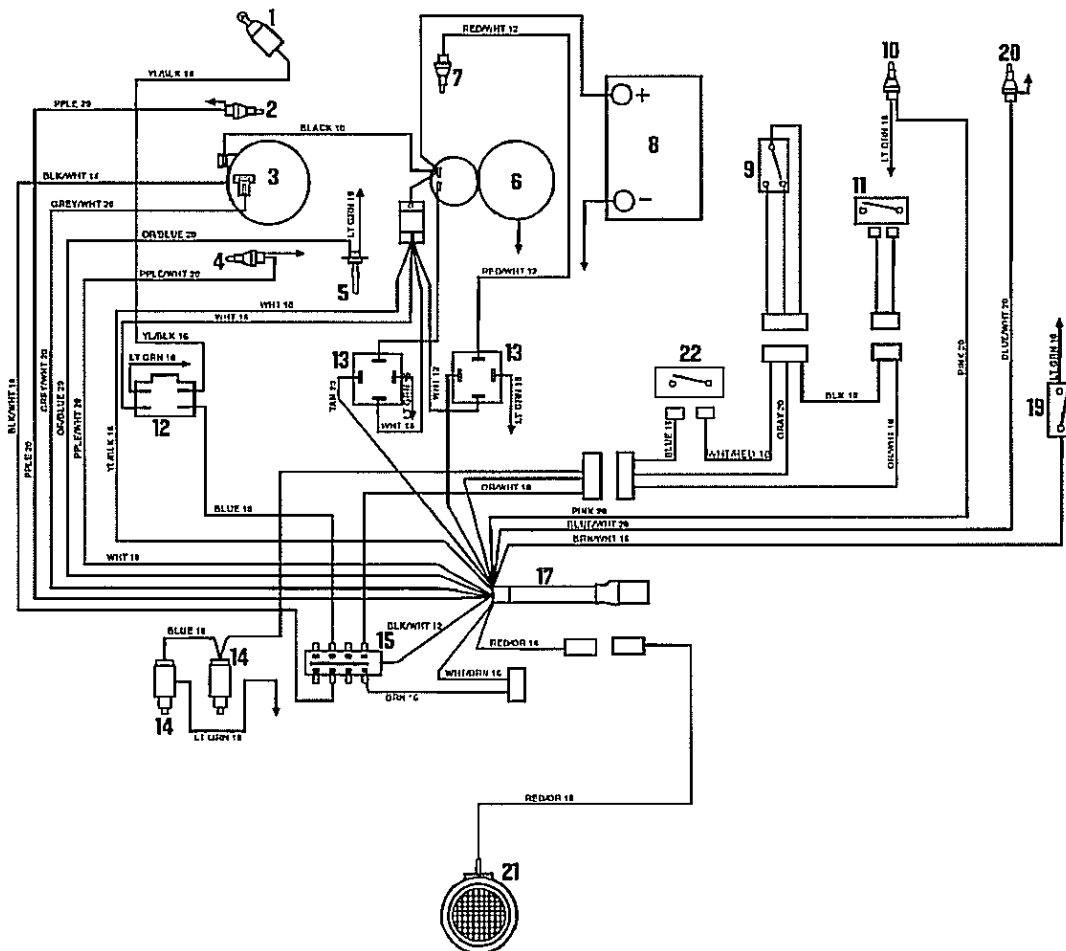


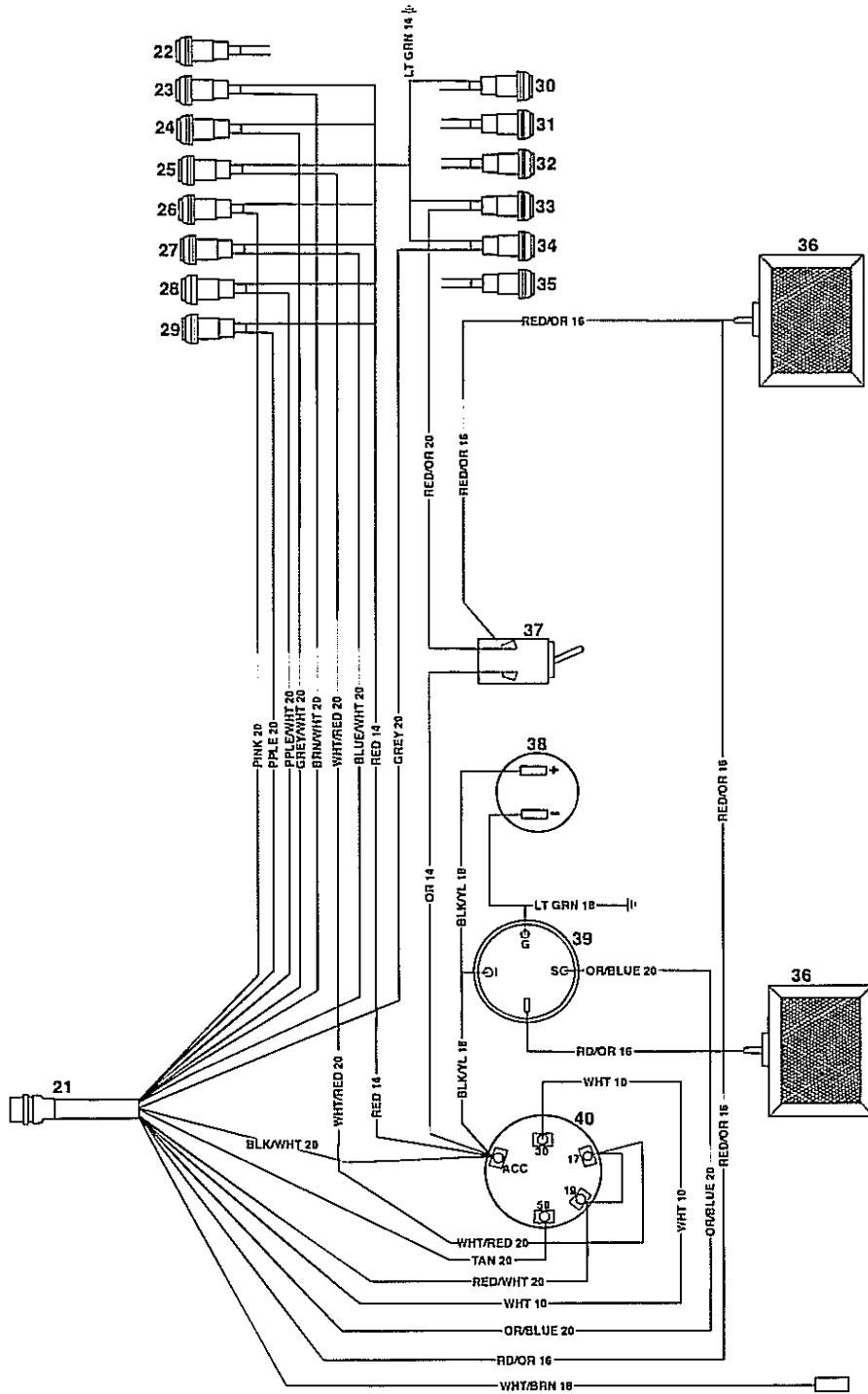
ELECTRICAL SYSTEM 6.

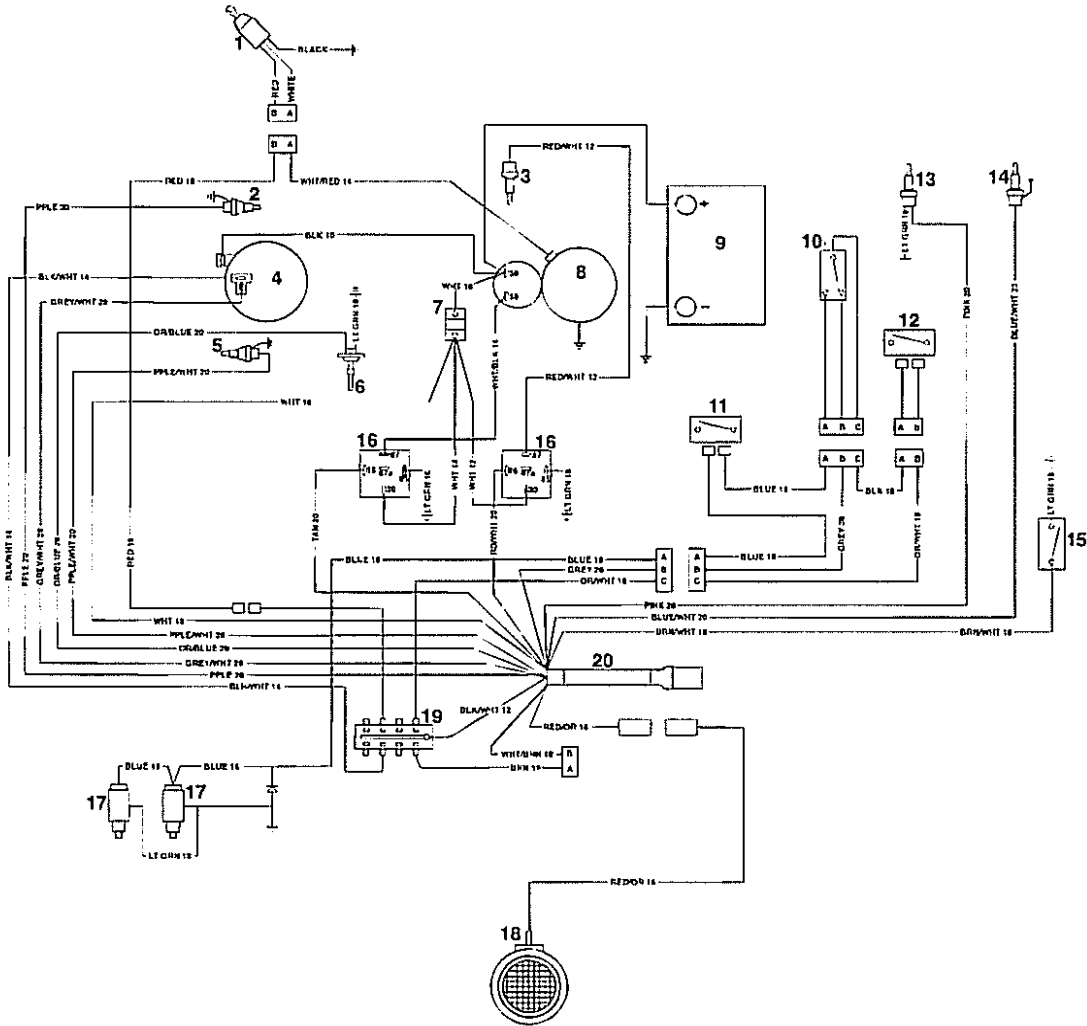
C-12	Electrical Schematic (ROPS Side, To LK000929).....	6.1
D-1	Electrical Schematic (Engine Side, To LK000929).....	6.2
D-2	Electrical Schematic (ROPS Side, LK000930 Onward).....	6.3
D-3	Electrical Schematic (Engine Side, LK000930 Onward).....	6.4

**ELECTRICAL
SYSTEM**









ENGINE EQUIPMENT 7.

D-4	Exhaust System.....	7.1
D-4	Air Cleaner.....	7.1
D-5	Radiator and Engine Mounts.....	7.2
D-6	Universal Joint.....	7.3

**ENGINE
EQUIPMENT**

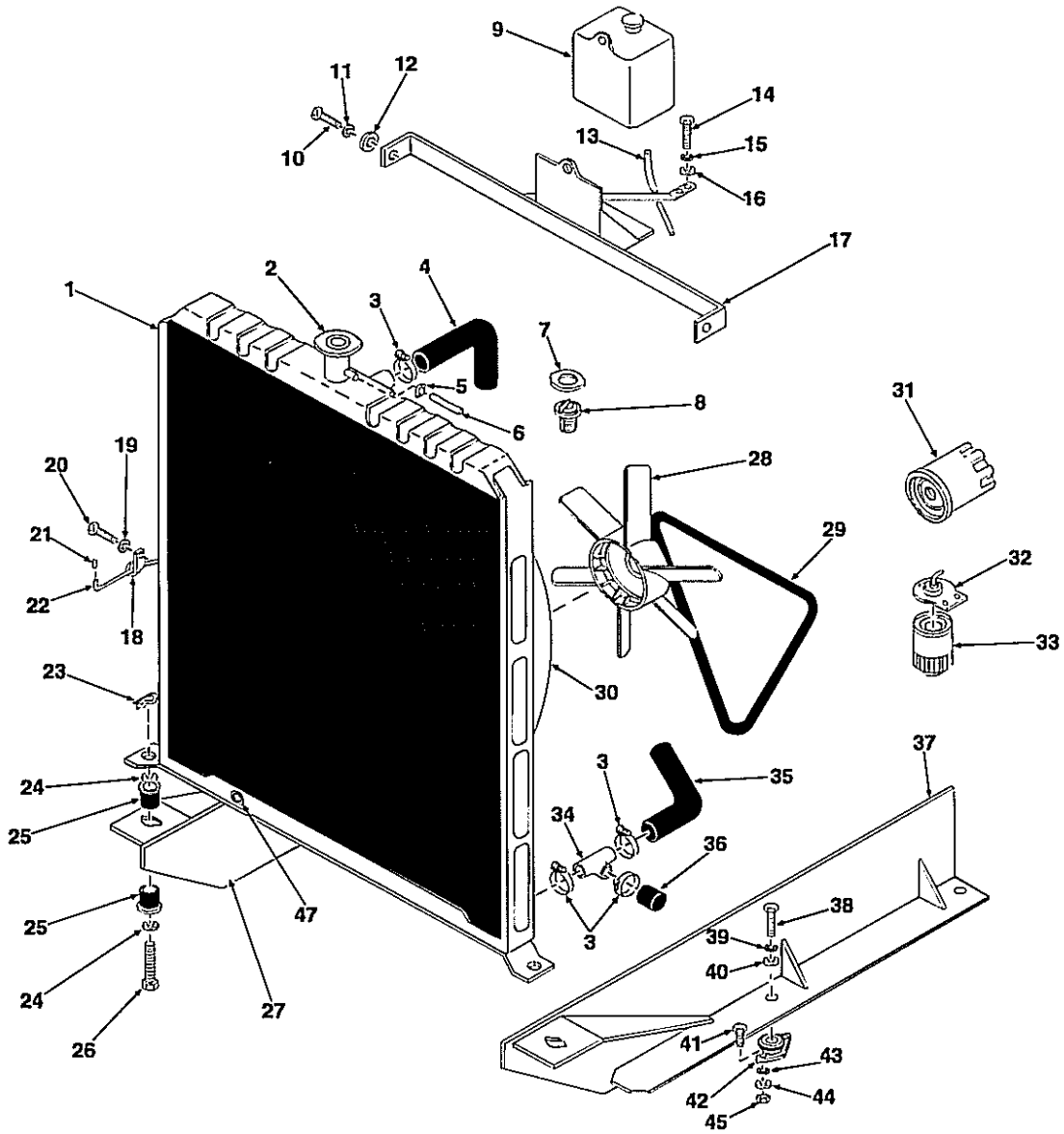
Air Cleaner

7.1

REF. NO.	PART NO.	DESCRIPTION	T173 HL'S'	T173 HL'S'II	SERIAL NO.
1	38854	Air Cleaner Assy	1	1	
2	38557	Hose Assy	1	1	
3	16138	Clamp	1	1	
4	37220	Air Cleaner Body	1	1	
5	31787	Filter Element	1	1	
6	31788	Safety Element	1	1	
8	6274	Clamp	1	1	
9	38855	Service Indicator, Electric	1	1	
10	12117	Clamp	2	2	
11	38555	Intake Tube Assy	1	1	
12	37222	Cup	1	1	
13	33211	Nut Assy, Air Cleaner, Inside	1	1	

Exhaust System

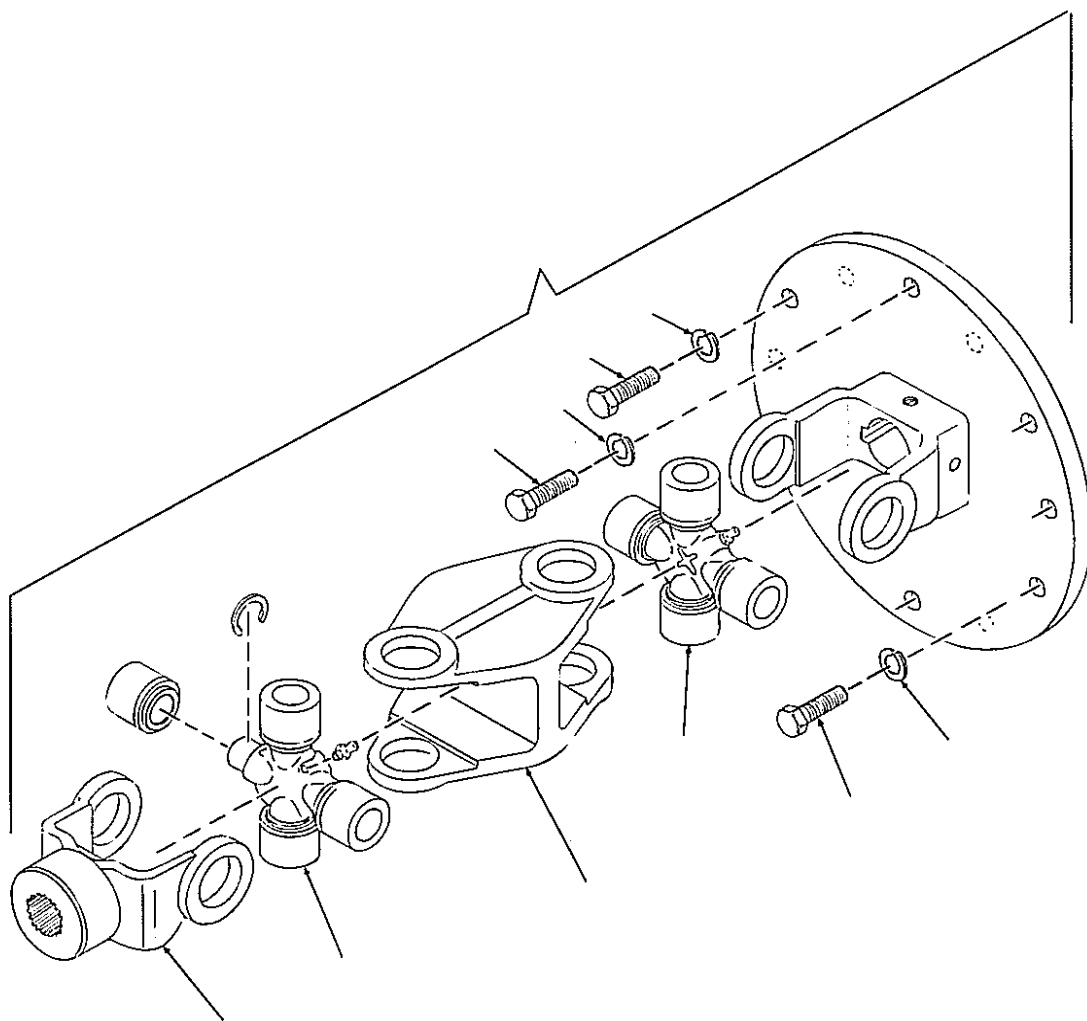
1	21148	Muffler, Complete	1	1	
2	21293	End Cap	1	1	
3	21294	Diffuser Disc, 3/Pack	3	3	
4	21295	Center, Bolt	1	1	
5	21296	Resonator	1	1	
6	21297	Adapter	1	1	
7	7723	Bolt, 1/4" UNC x 1 1/4" L.	8	8	
8	1650	Plain washer 1/4" Dia.	4	4	
9	6645	Nut, 1/4" UNC	4	4	
10	41784	Exhaust Pipe	0	1	LK000963 onward
10	40324	Exhaust pipe	1	1	up to LK000962
11	958264	Exhaust Flange Assy	0	1	LK000963 onward
11	960859	Exhaust flange, 3 bolts	1	1	up to LK000962
12	35258	Exhaust Gasket	0	1	Lk000963 onward
12	39736	Exhaust gasket, 3 bolts	1	1	up to LK000962
13	22968	Bolt, 10mm x 20mm L.	3	3	
*	21554	Bolt, 8mm X 20mm		4	LK000963 Onward
*	21029	Washer, 8mm for item 13		4	LK000963 Onward
14	6262	Muffler Clamp 2"	2	2	
15	954704	Exhaust Clamp Assy	1	1	
16	30311	Exhaust Pipe Mount	1	1	
17	16771	Nut, 5/16" UNC Nylok	2	2	
18	1651	Plain washer 5/16" Dia.	2	2	
19	2580	Bolt, 5/16" UNC x 1 1/4" L.	2	2	



Radiator and Engine Mounts

7.2

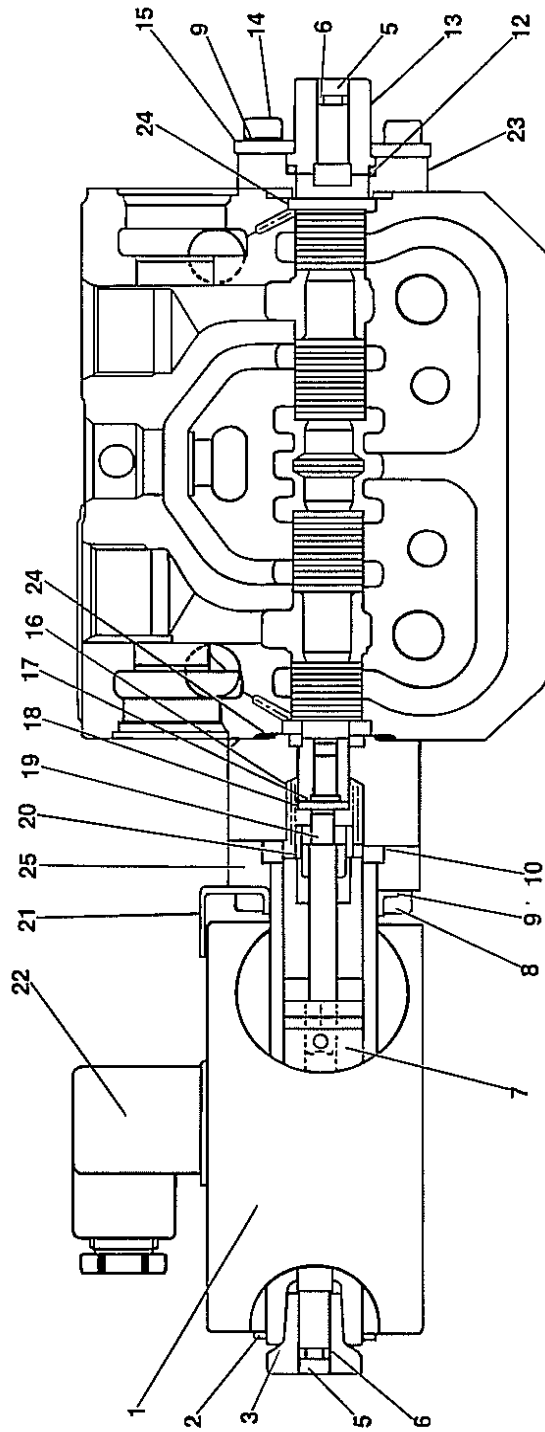
REF. NO.	PART NO.	DESCRIPTION	T173 HL'S'	T173 HL'S'II	SERIAL NO.
1	36021	Radiator Assy	1	1	
2	19572	Radiator Cap	1	1	
3	18478	Clamp, Top Radiator Hose	1	1	
4	22204	Top Radiator Hose	1	1	
7	19586	Gasket Thermostat	1	1	
8	33149	Thermostat Assy	1	1	
9	38671	Reservoir Overflow	1	1	
10	23771	Bolt M6 x 16	2	2	
11	21320	Washer, Loc M6	2	2	
12	1650	Washer, Flat 1/4"	2	2	
13	792	Tube, 1/8" I.D., Clear Vinyl	1	1	
*	37980	Cable Ties	2	2	
*	26029	Cable Clip	1	1	
14	24780	Bolt M10 x 25	2	2	
15	21028	Washer, Loc M10	2	2	
16	1643	Washer, Flat 3/8"	2	2	
17	960646	Brace, Top Radiator Assy	1	1	
18	26029	Clip, Support	1	1	
19	21320	Washer, M6	1	1	
20	23771	Bolt, M6 x 16	1	1	
21	39209	Cap, End Red	1	1	
22	40342	Bar, Emergency Stop Rod	1	1	
23	18481	Pin	2	2	
24	18468	Washer for Cushion	4	4	
25	38558	Isolator, Engine	4	4	
26	19574	Bolt	2	2	
27	960774	Mount, LH Engine Assy	1	1	To LK001174
27	961840	Mount, LH Engine Assy	1	1	LK001175 Onward
28	39730	Fan, Pusher	1	1	
29	35568	V-Belt	1	1	
30	39728	Fan, Cover	1	1	
31	11495	Oil Filter	1	1	
32	42560	Filter Assy, or 39684 mount only	1	1	
33	21677	Fuel Filter	1		To LK001174
33	42561	Fuel Filter		1	LK001175 Onward
34	35772	Hose, Water	1	1	
35	35773	Hose, Bottom Water	1	1	
36	35774	Hose, Water	1	1	
37	960775	Mount, RH Engine Assy	1	1	To LK001174
37	961839	Mount, RH Engine Assy	1	1	LK001175 Onward
38	26859	Bolt M12 x 30	4	4	
39	21558	Washer Loc 12M	4	4	
40	NSP	Washer, Flat			
41	1190	Bolt 5/16" x 1"	8	8	
42	38558	Isolator, Engine	4	4	
43	1651	Washer, Flat 5/16"	8	8	
44	1870	Washer, 5/16" Flat	8	8	
45	21557	Bolt, Mount to Engine	8	8	
46	21558	Washer Loc M12	8	8	
47	35847	Plug, socket head, 3/8 NPT	1	1	
48	39836	Cover, Coolant, Overflow	1	1	

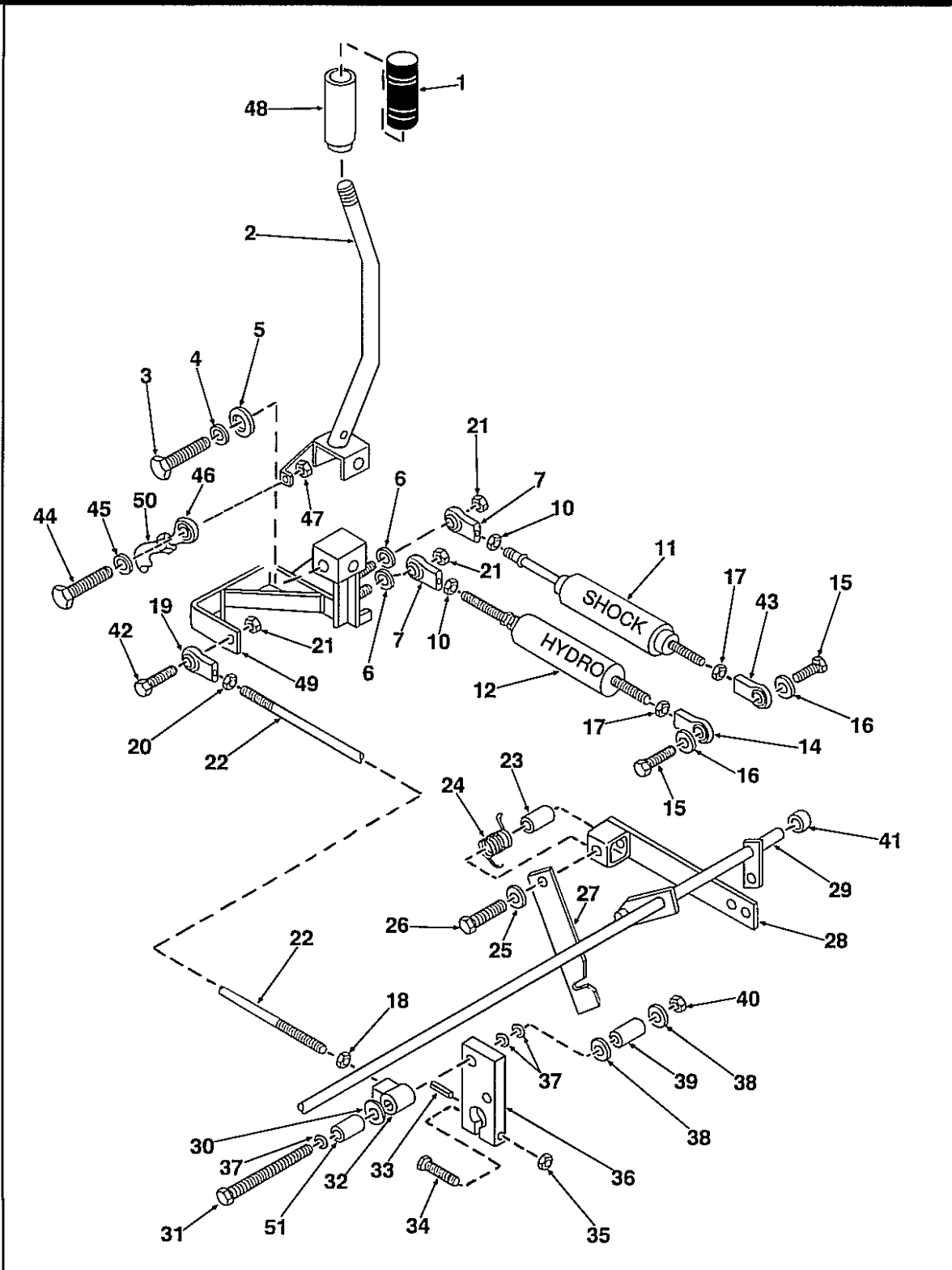


OPTIONAL EQUIPMENT 8.

D-7	Electric Auxiliary.....	8.1
D-8	Hand Control Lever (R.H. Side).....	8.2
D-9	Hand Control Lever (L.H. Side).....	8.3
D-10	Back-Up Alarm.....	8.4
D-11	Horn Kit.....	8.5
D-12	Wheel Equipment.....	8.6
E-1	Sound Insulation.....	8.7
E-2	Decals and Wheel Equipment.....	8.8
E-3	Cab Door.....	8.9
E-4	Strobe Light Kit.....	8.10
E-5	Directional Light Kit.....	8.11
E-6	Cab Heater.....	8.12
E-7	Enclosures.....	8.13

**OPTIONAL
EQUIPMENT**

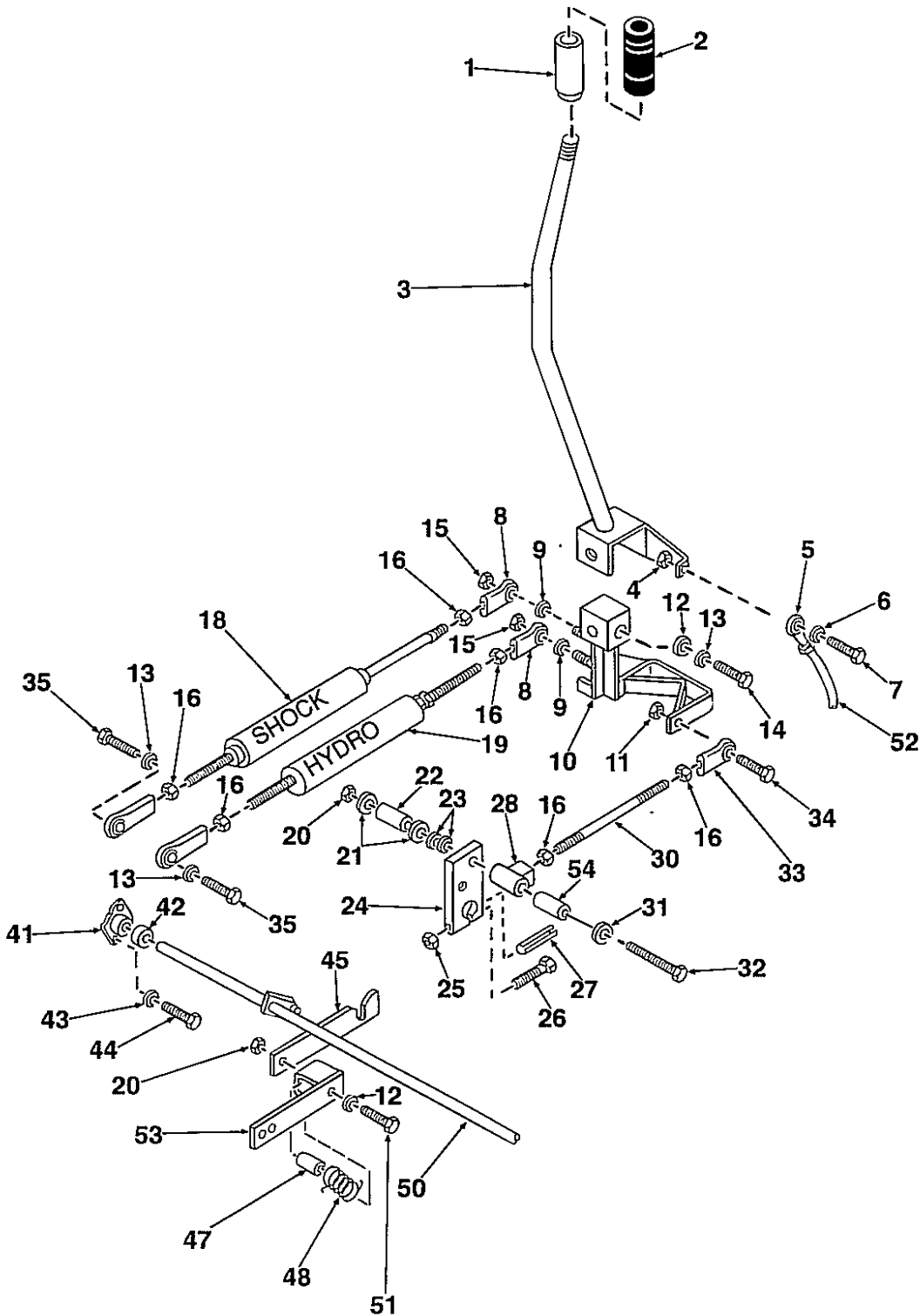




Hand Control Lever (R.H. Side)

8.2

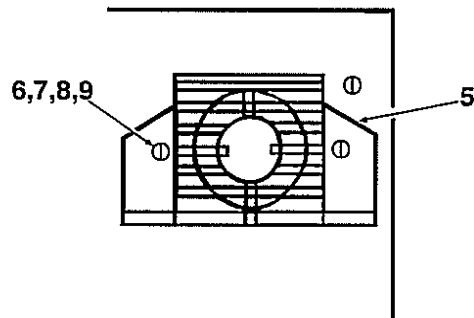
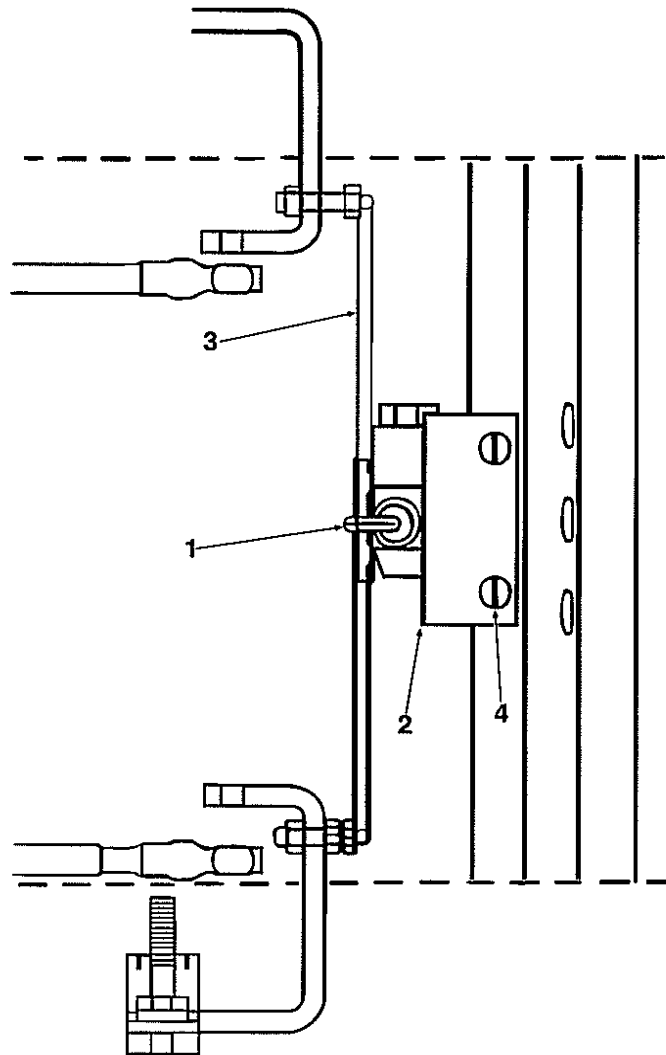
REF. NO.	PART NO.	DESCRIPTION	T173 HL'S'	T173 HL'S''	SERIAL NO.
1	3189	Lever Grip	1	1	
2	960871	RH Hand Control Lever Assy	1	-	To LK000
2	961284	RH Hand Control Lever Assy	-	1	LK000 -Onward
3	1673	Bolt, Hex. 3/8" x 3/4" UNC Gr. 5	1	1	
4	1642	Washer, Lock 3/8"	1	1	
5	1643	Washer, Flat 3/8"	1	1	
6	21174	Washer, .390 ID x 7 Ga.	2	2	
7	5803	Rod End Assy, .375 Female	2	2	
10	1898	Nut, Hex. 3/8" UNF	2	2	
11	14860	Shock Absorber	1	1	
12	959090	Hydroback Assy.	1	1	
14	5803	Rod End Assy, .375 Female	2	2	
15	1193	Bolt, Hex 3/8" x 1" UNC	2	2	
16	1642	Washer, Lock 3/8"	2	2	
17	1898	Nut, Hex. 3/8" UNF	2	2	
18	35316	Nut, Hex. 3/8" UNF Gr. 5	1	1	
19	35883	Rod End Assy, .250 Female	1	1	
20	1898	Nut, Hex. 3/8" UNF	1	1	
21	7465	Nut, Nylok 3/8" UNC	3	3	
22	40305	RH Pintle Linkage Bar	1	1	
23	23012	Pivot, Bushing	1	1	
24	956137	Spring, Xmsn. .,115W Dia. x 1.043	1	1	
25	1643	Washer, Flat 3/8"	1	1	
26	14620	Bolt, Hex. 3/8" x 2 3/4" UNC Gr. 5	1	1	
27	29982	Arm Lock	1	1	
28	40154	Pintle Lock Pivot, RH	1	1	
29	960840	Pintle Unlock Shaft Assy	1	1	
30	29384	Washer, Fender 3/8" ID x 1 1/2" OD	1	1	
31	22810	Bolt, Hex. 3/8" x 3 3/4" UNC Gr. 5	1	1	
32	960402	Rod End, Isolated LH Thread	1	1	
33	14916	Roll Pin 3/8" x 1 1/2" L.	1	1	
34	3313	Bolt, 1/4" UNC x 2" L.	1	1	
35	1350	Nut, 1/4" UNC	1	1	
36	17167	Pintle Lever	1	1	
37	21174	Washer, .390 ID x 5/8" OD x 7 Ga.	3	3	
38	29384	Washer, Fender 3/8" ID x 1 1/2" OD	2	2	
39	29349	Bushing .500 OD x .391 ID x .625	1	1	
40	7465	Nut, Nylok 3/8" UNC	1	1	
41	29066	Collar, Set 1/2" Dia.	1	1	
42	1672	Bolt, Hex. 3/8" x 1 1/2" UNC Gr. 5	1	1	
43	15880	Rod End Assy	1	1	
44	17421	Bolt, 1/4" x 1" Stainless	2	2	
45	25583	Washer, Lock Stainless 1/4"	2	2	
46	35883	Rod End	2	2	
47	17432	Nut, Nylok	1	1	
48	960878	Lever Handle Assy	1	-	To LK000635
48	961303	Lever Handle Assy	-	1	LK000636-Onward
49	961023	Swivel Assy, Hand Control RH	1	1	
50	36305	Cable, Assy	2	2	
51	37854	Rod End Spacer	1	1	

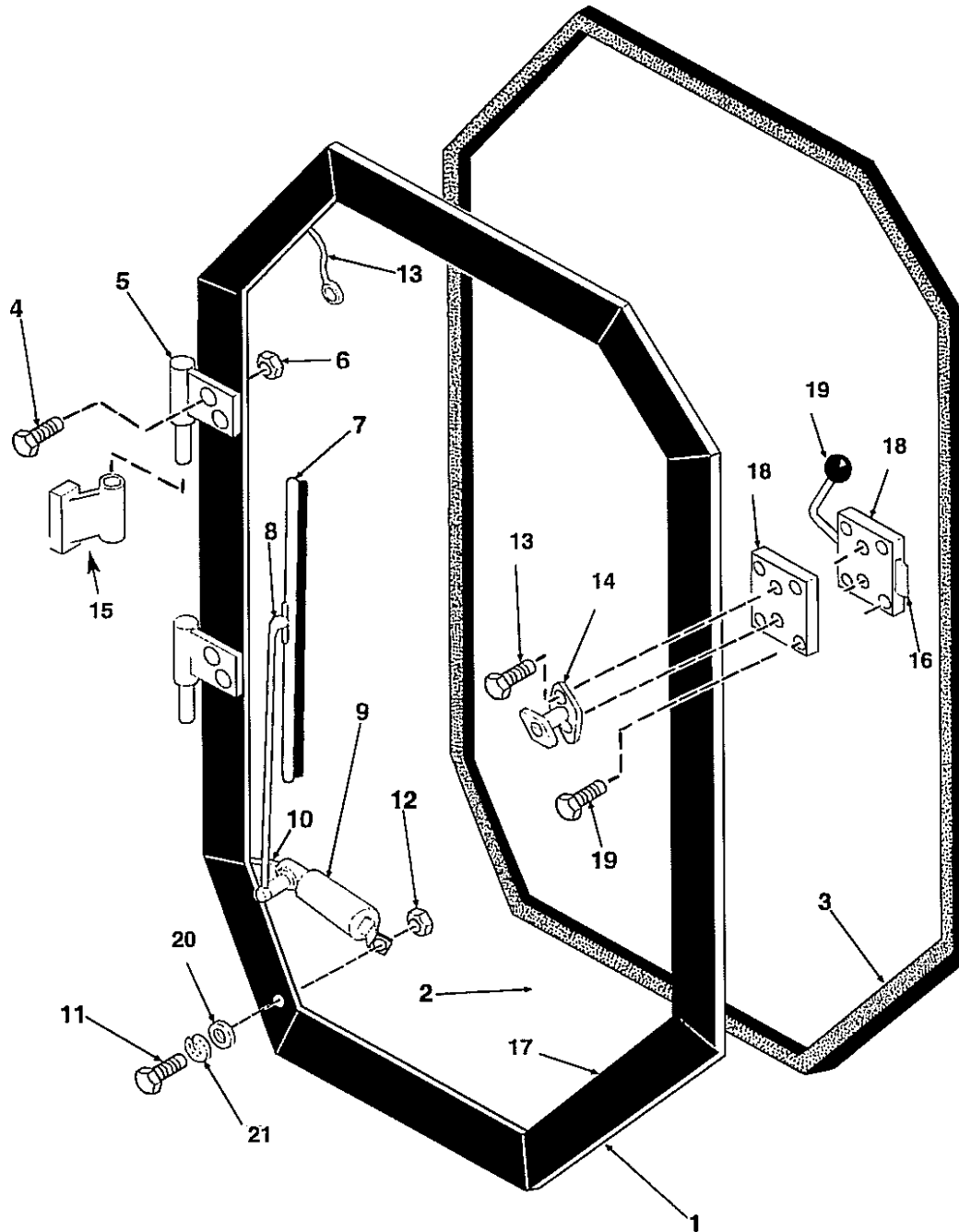


Hand Control Lever (L.H. Side)

8.3

REF. NO.	PART NO.	DESCRIPTION	T173 HL'S'	T173 HL'S'II	SERIAL NO.
1	960878	Lever Handle Assy	1	-	To LK000635
1	961303	Lever Handle Assy	-	1	LK000635-Onward
2	3189	Lever Grip	1	1	
3	960870	LH Hand Control Lever Assy	1	-	To LK000635
3	961283	LH Hand Control Lever Assy	-	1	LK000636 -Onward
4	17432	Nut, Nylok	1	1	
5	35883	Rod End	1	1	
6	25583	Washer	1	1	
7	17421	Bolt 1/4 X 1 Stainless	1	1	
8	5803	Rod End Assy, .250 Female	2	2	
9	21174	Washer, .390 ID x 5/8" OD x 7 Ga.	2	2	
10	961022	Swivel Assy, Hand Control LH	1	1	
11	7465	Nut, Nylok 3/8" UNF	1	1	
12	1643	Washer, Flat 3/8"	2	2	
13	1642	Washer, Lock 3/8"	3	3	
14	1673	Bolt, Hex. 3/8" x 3/4" UNC Gr. 5	1	1	
15	7465	Nut, Hex. 3/8" UNF	2	2	
16	1898	Nut, Hex. 3/8" UNF	5	5	
18	14860	Shock Absorber	1	1	
19	959090	Hydroback Assy	1	1	
20	7465	Nut, Nylok 3/8" UNF	2	2	
21	29384	Washer, Fender 3/8" ID x 1 1/2" OD	2	2	
22	29349	Bushing, .500 OD x .391 ID x .625	1	1	
23	21174	Washer, .390 ID x 5/8" OD x 7Ga.	3	3	
24	17167	Pintle Lever	1	1	
25	1350	Nut, 1/4" UNC	1	1	
26	3313	Bolt, 1/4" UNC x 2" L.	1	1	
27	14916	Roll Pin 3/8" x 1 1/2"	1	1	
28	960402	Rod End, Isolated, LH Thread	1	1	
29	35316	Nut, Hex. 3/8" UNF Gr. 5	1	1	
30	40306	LH Pintle Linkage Bar	1	1	
31	29384	Washer, Fender 3/8" ID x 1 1/2" OD	1	1	
32	22810	Bolt, Hex. 3/8" x 3 3/4" UNC Gr. 5	1	1	
33	5803	Rod End Assy, .375 Female	1	1	
34	1672	Bolt, Hex. 3/8" x 1 1/2" UNC Gr. 6	1	1	
35	1193	Bolt, Hex. 3/8" x 1" UNC	2	2	
39	15880	Rod End Assy.	1	1	
40	5803	Rod End Assy,.375 Female	1	1	
41	29065	Bearing Flange	1	1	
42	29066	Collar, Set 1/2" Dia.	1	1	
43	2279	Washer, Lock 1/4"	2	2	
44	2663	Bolt, Hex. 1/4" x 3/4" UNC Gr. 5	2	2	
45	40156	Pintle Lock Pivot, LH	1	1	
46	35883	Rod End	2	2	
47	23016	Pivot Bushing	1	1	
48	956137	Spring, Xmsn. 115W Dia. x 1.043	1	1	
50	960840	Pintle Unlock Shaft Assy	1	1	
51	14620	Bolt, Hex. 3/8" x 2 3/4" UNC Gr. 5	1	1	
52	36305	Cable	1	1	
53	960837	LH Pivot Assy	1	1	
54	37854	Rod End Spacer	1	1	





Cab Door

U-1625

8.9

REF. NO.	PART NO.	DESCRIPTION	T173 HLSII		SERIAL NO.
	960692	Door Assy, Complete	1		
1	961028	Door Only	1		
2	37243	Glass, Tempered Safety	1		
3	15756	Bulb, Weather Seal	11.75 ft		
4	5170	Bolt 1/4" x 1"	4		
5	961063	Hinge Pin Assy	2		
6	6645	Nut, 1/4 in. Nylock	4		
7	37597	Wiper Blade	1		
8	37596	Wiper Arm	1		
9	37275	Wiper Motor	1		
10	NSP	Motor Wire	1		
11	2663	Bolt 1/4" x 3/4"	1		
12	1350	1/4 in. hex	1		
13	15885	Bolt, Stove 3/16 X 3/4 in.	2		
14	953780	Handle	1		
15	958336	Cab Door Hinge Bushing	2		
16	39891	Latch	1		
17	15750	Weatherstrip, Glass Setting	9 ft		
			1		
19	25298	Ball, Red Handle	1		
20	1650	Flat Washer, 1/4 in.	1		
21	2279	Lock Washer, 1/4 in.	1		

NUMERICAL INDEX

PART NO.	SECTION	PART NO.	SECTION	PART NO.	SECTION
417	1.2	1643	2.3	1898	8.2
526	1.6	1643	3.4	1898	8.3
579	1.2	1643	7.2	1898	2.1.1
617	1.2	1643	8.2	2011	1.3
698	4.1	1643	2.1.1	2011	1.4
765	8.10.	1643	4.4	2232	4.1
792	7.2	1647	3.1	2279	1.2
1023	1.6	1650	1.1	2279	1.6
1064	1.1	1650	1.2	2279	8.3
1149	3.1	1650	1.6	2279	8.4
1190	1.6	1650	1.7	2279	8.5
1190	7.2	1650	1.8	2279	1.10.
1191	1.6	1650	2.3	2279	2.1.1
1191	3.1	1650	2.4	2338	1.10.
1191	3.2	1650	7.1	2580	1.6
1191	4.1	1650	7.2	2580	7.1
1191	4.9	1650	8.4	2593	1.8
1193	1.6	1650	8.5	2663	1.2
1193	2.1	1651	1.2	2663	2.3
1193	8.2	1651	1.6	2663	2.4
1193	8.3	1651	3.1	2663	8.3
1193	2.1.1	1651	3.2	2663	8.4
1194	1.6	1651	4.1	2663	8.9
1194	2.3	1675	4.9	2663	1.10.
1194	3.4	1651	7.1	2663	2.1.1
1205	3.4	1651	7.2	2823	1.2
1341	3.4	1662	1.5	3189	1.2
1350	1.2	1663	3.4	3189	2.1
1350	1.6	1671	2.3	3189	8.2
1350	1.8	1672	2.1	3189	8.3
1350	2.1	1672	8.2	3189	2.1.1
1350	8.2	1672	8.3	3313	2.1
1350	8.3	1672	2.1.1	3313	8.2
1350	8.4	1673	1.6	3313	8.3
1350	8.5	1673	2.1	3313	2.1.1
1350	2.1.1	1673	8.2	3321	1.5
1387	1.6	1673	8.3	3621	8.11
1387	2.2	1673	2.1.1	3621	8.10.
1458	1.1	1675	4.9	3622	8.11
1458	5.1.1	1680	1.3	3622	8.10.
1461	5.1.1	1680	1.4	3623	8.11
1465	1.6	1680	1.5	3625	8.11
1546	3.3	1803	4.4	3627	8.10.
1631	2.2	1870	1.6	3628	8.11
1634	3.2	1870	3.1	4539	1.1
1642	1.2	1870	3.2	4842	1.2
1642	1.6	1870	3.4	5170	1.2
1642	2.1	1870	4.1	5170	1.6
1642	8.2	1870	4.9	5170	2.4
1642	8.3	1870	7.2	5170	8.9
1642	2.1.1	1870	8.11	5170	1.10.
1643	1.6	1898	2.1	5237	8.5
1643	2.1	1898	2.1	5405	2.2
1643	2.1	1898	8.2	5803	2.1

NUMERICAL INDEX

PART NO.	SECTION	PART NO.	SECTION	PART NO.	SECTION
5803	8.2	8864	5.2	16982	8.6
5803	8.3	8864	5.2.1	16982	8.8
5803	2.1.1	8871	5.2	16989	1.2
5832	8.8	8871	5.2.1	17144	4.1
5832	2.3.2	8872	5.2	17167	2.1
5842	1.1	8872	5.2.1	17167	8.2
5893	2.2	8873	5.2	17167	8.3
5897	1.2	8873	5.2.1	17167	2.1.1
6081	1.6	10516	3.1	17340	3.3
6081	8.11	11495	7.2	17421	8.2
6086	1.6	12117	7.1	17421	8.3
6086	1.8	14619	8.5	17432	2.2
6089	1.1	14620	2.1	17432	8.2
6262	7.1	14620	8.2	17432	8.3
6274	7.1	14620	8.3	17493	8.12
6297	4.8	14620	2.1.1	17516	2.2
6297	4.9	14797	1.1	17516	2.4
6356	1.8	14860	2.1	17633	1.7
6377	3.1	14860	8.2	17633	3.1
6522	6.1	14860	8.3	17940	8.5
6522	8.5	14860	2.1.1	18318	1.1
6608	4.4	14867	5.1.1	18468	7.2
6645	1.2	14877	3.2	18478	7.2
6645	2.4	14898	4.1	18481	7.2
6645	7.1	14916	2.1	18724	6.2
6645	8.9	14916	8.2	18724	6.4
6645	1.10.	14916	8.3	19226	4.2
6800	8.8	14916	2.1.1	19226	4.4
6804	8.6	14959	5.2	19232	4.2
7019	8.6	14959	5.2.1	19232	4.3
7019	8.8	14961	5.2	19240	5.1
7028	4.4	14961	5.2.1	19240	5.1.1
7078	4.4	15052	7.3	19242	5.1.1
7124	4.4	15140	7.3	19572	7.2
7416	2.3	15141	7.3	19574	7.2
7458	1.3	15149	8.11	19586	7.2
7465	2.1	15750	1.7	19605	6.1
7465	2.2	15750	8.9	19605	6.3
7465	4.4	15756	8.9	19629	7.3
7465	3.4	15880	2.1	19949	1.1
7465	8.2	15880	8.2	20235	1.6
7465	8.3	15880	8.3	20856	1.3
7465	2.1.1	15880	2.1.1	20856	1.4
7667	4.4	15885	8.9	20856	1.6
7723	7.1	15931	1.7	20860	1.2
8104	5.1	16019	8.12	20860	1.4
8104	5.1.1	16138	7.1	20860	1.6
8303	5.1	16601	8.11	20861	1.6
8303	5.1.1	16601	8.10.	20901	1.7
8615	8.11	16711	7.1	20901	3.1
8615	8.10.	16771	1.2	21004	1.10.
8704	3.3	16771	1.3	21028	7.2
8863	5.2	16771	8.11	21029	7.3
8863	5.2.1	16771	8.4	21148	7.1

NUMERICAL INDEX

PART NO.	SECTION	PART NO.	SECTION	PART NO.	SECTION
21174	2.1	22968	7.1	25845	1.4
21174	8.2	23012	2.1	25845	3.1
21174	8.3	23012	8.2	25845	3.3
21174	2.1.1	23012	2.1.1	25879	3.1
21293	7.1	23016	8.3	26029	7.2
21294	7.1	23096	2.3	26041	3.3
21295	7.1	23166	1.1	26042	3.2
21296	7.1	23194	1.1	26188	3.2
21297	7.1	23362	1.5	26188	8.8
21320	2.3	23371	2.3	26202	4.1
21320	7.2	23385	1.6	26315	3.2
21557	2.3	23388	5.1	26509	3.2
21557	7.2	23388	5.1.1	26549	4.9
21558	2.3	23452	1.7	26510	3.2
21558	7.2	23452	3.1	26650	5.2
21559	7.3	23507	1.5	26650	5.2.1
21677	1.1	23582	5.1	26737	1.1
21679	1.1	23582	5.1.1	26743	1.9
21927	6.4	23583	5.1	26765	3.4
22071	5.3	23583	5.1.1	26765	5.1
22072	5.3	23584	5.1	26765	5.3
22073	5.3	23584	5.1.1	26765	5.1.1
22074	5.3	23747	5.1	26859	7.2
22075	5.3	23747	5.1.1	28957	1.6
22087	503	23748	5.1	28979	3.4
22089	5.3	23749	5.1	28982	2.3
22105	5.3	23750	5.1	29029	1.3
22106	5.3	23750	5.1.1	29029	2.3
22107	5.3	23771	2.3	29029	3.2
22108	5.3	23771	7.2	29059	1.9
22109	5.3	23771	7.2	29065	2.1
22110	5.3	23772	2.3	29065	2.4
22111	5.3	23861	1.1	29065	8.3
22112	5.3	24214	1.1	29065	2.1.1
22115	5.3	24264	1.1	29066	2.1
22116	5.3	24780	7.2	29066	8.3
22117	5.3	24851	8.11	29066	2.4
22119	5.3	24851	8.10.	29066	2.1.1
22120	5.3	24914	2.4	29093	3.4
22121	5.3	24914	3.4	29211	8.6
22204	7.2	25011	5.1	29245	1.9
22280	4.4	25091	1.7	29282	4.3
22280	4.3	25104	3.3	29345	4.9
22448	3.2	25298	8.9	29346	4.9
22470	1.10.	25583	8.2	29349	2.1
22576	1.2	25583	8.3	29349	8.2
22278	4.3	25589	2.2	29349	8.3
22581	5.3	25618	3.2	29349	2.1.1
22653	1.3	25760	6.1	29361	3.2
22734	3.3	25760	6.2	29368	4.9
22810	2.1	25762	1.6	29369	4.9
22810	8.2	25842	3.4	29370	4.9
22810	8.3	25843	3.4	29371	4.9
22810	2.1.1	25845	1.3	29372	4.9

NUMERICAL INDEX

PART NO.	SECTION	PART NO.	SECTION	PART NO.	SECTION
29373	4.9	30590	4.1	33623	8.12
29375	4.9	30607	1.6	33625	8.12
29377	4.9	30641	1.3	33626	8.12
29378	4.9	30641	1.9	33627	8.12
29379	4.9	30771	1.9	33831	4.2
29382	4.9	30800	3.4	33831	4.3
29384	2.1	30896	19	33831	4.4
29384	2.1	30897	1.9	33850	4.7
29384	8.2	30898	1.9	33868	4.9
29384	8.3	30899	1.4	34181	5.3
29384	2.1.1	30899	1.9	34182	5.3
29431	4.3	30900	1.4	34434	8.6
29432	4.3	30913	1.5	34435	8.6
29433	4.4	31044	3.3	34467	5.2
29434	4.4	31045	3.3	34467	2.1.1
29435	4.4	31147	8.12	34468	5.2
29436	4.4	31154	8.12	34468	2.1.1
29437	4.4	31156	8.12	34469	5.2
29438	5.1.1	31166	8.12	34469	5.2.1
29476	3.4	31167	8.12	34470	5.2
29477	3.4	31262	3.1	34470	2.1.1
29860	4.8	31341	5.1.1	34471	5.2
29860	4.9	31440	1.2	34471	2.1.1
29861	4.8	31488	1.2	34472	5.2
29861	4.9	31489	1.2	34472	2.1.1
29862	4.8	31581	1.6	34473	5.2
29862	4.9	31583	8.8	34473	2.1.1
29875	4.8	31654	2.3	34474	5.2
29875	4.9	31744	1.6	34474	5.2.1
29878	4.8	31744	1.7	34475	5.2
29978	4.9	31744	8.11	34475	2.1.1
29894	5.3	31787	7.1	34476	5.2
29895	5.3	31788	7.1	34476	5.2.1
29896	4.8	32070	1.6	34478	5.2
29971	6.2	32478	4.1	34478	2.1.1
29971	6.4	32511	4.9	34903	4.1
29972	8.12	32578	3.3	34919	4.1
29978	4.8	32614	1.3	34986	5.2
29978	4.9	32614	1.9	34986	5.2.1
29979	4.8	32615	1.3	35243	4.7
29979	4.9	32615	1.9	35316	2.1
29982	2.1	32629	8.9	35316	8.3
29982	8.2	32759	3.3	35316	2.1.1
30013	4.8	32906	3.3	35426	1.2
30026	4.8	32907	3.3	35449	1.3
30027	4.8	32978	1.9	35449	1.8
30044	2.2	33073	6.2	35449	1.9
30641	4.9	33073	6.4	35449	1.10
30470	3.4	33149	7.2	35449	4.8
30474	3.4	33153	4.3	35449	4.9
30485	3.4	33153	4.9	35451	4.8
30487	3.4	33154	4.9	35451	4.9
30501	2.1	33155	4.9	35487	8.8
30501	2.1.1	33211	7.1	35534	8.11

NUMERICAL INDEX

PART NO.	SECTION	PART NO.	SECTION	PART NO.	SECTION
35536	6.2	37167	8.12	38516	1.6
35536	6.4	37184	3.4	38516	6.2
35568	7.2	37206	6.2	38516	6.4
35772	7.2	37206	6.4	38517	2.3
35773	7.2	37206	5.1.1	38531	8.4
35774	7.2	37208	5.1.1	38550	5.1
35845	3.4	37220	7.1	38550	5.2
35847	7.2	37222	7.1	38550	5.1.1
35883	8.2	37243	8.9	38550	5.2.1
35883	8.2	37275	8.9	38553	2.4
35883	8.3	37426	8.8	38555	7.1
35884	2.2	37595	4.6	38558	7.2
36021	7.2	37596	8.9	38560	1.6
36092	8.6	37597	8.9	38560	1.7
36094	8.6	37601	8.12	38561	1.7
36305	2.2	37606	8.12	38561	3.1
36305	8.2	37633	8.12	38577	6.1
36305	8.3	37653	4.6	38577	6.3
36336	4.2	37673	4.1	38579	4.9
36336	4.3	37791	4.3	38581	4.8
36337	4.4	37791	4.9	38582	4.8
36338	4.2	37792	1.9	38583	4.8
36339	4.2	37792	4.8	38584	4.8
36340	4.2	37793	4.2	38585	4.7
36341	4.2	37793	4.8	38587	4.7
36342	4.4	37808	1.7	38588	4.7
36343	4.4	37854	2.1	38589	4.9
36344	4.3	37854	8.2	38600	1.6
36345	4.3	37854	8.3	38606	8.8
36487	2.2	37854	2.1.1	38611	4.6
36491	8.6	37980	7.2	38611	6.2
36491	8.8	38056	8.1	38611	6.4
36619	8.6	38057	8.1	38611	4.6.1
36622	4.6	38058	8.1	38612	4.6.1
36623	4.6	38060	4.6	38613	4.6.1
36624	4.6	38060	8.1	38614	4.6
36625	4.6	38060	4.6.1	38614	4.6.1
36643	4.6	38061	8.1	38615	4.6
36644	4.6	38062	8.1	38615	4.6.1
36645	4.6	38063	8.1	38616	4.6
36646	4.6	38065	8.1	38616	4.6.1
36647	4.6	38066	8.1	38617	4.6
36648	4.6	38067	8.1	38617	8.1
36649	4.6	38068	8.1	38617	4.6.1
36650	4.6	38284	8.6	38618	4.6
36651	4.6	38304	8.11	38618	4.6.1
36653	4.6	38305	8.11	38619	4.6
36657	4.6	38306	8.11	38619	4.6.1
36659	4.6	38307	8.11	38620	4.6
36660	8.1	38385	4.2	38620	4.6.1
36661	4.6	38385	4.3	38621	4.6
36841	1.7	38385	4.4	38621	4.6.1
36733	4.1	38385	4.6	38622	4.6
36734	1.1	38393	5.1	38622	4.6.1

NUMERICAL INDEX

PART NO.	SECTION	PART NO.	SECTION	PART NO.	SECTION
38623	4.6	39021	1.7	39840	6.4
38623	4.6.1	39024	8.7	39850	4.6
38624	4.6	39059	8.1	39851	4.6
38624	4.6.1	39066	8.2	39852	4.6
38671	7.2	39121	6.1	39872	6.4
38743	4.7	39122	6.1	39891	8.9
38751	1.6	39122	8.11	39894	4.6
38752	8.4	39122	8.12	39911	4.6
38761	6.1	39122	8.5	39911	4.6.1
38761	6.3	39122	8.10.	39913	4.5
38768	4.1	39123	6.1	39914	4.5
38768	5.1.1	39123	6.3	39915	4.5
38769	6.3	39123	8.10.	39916	4.5
38770	6.2	39127	8.5	39917	4.5
38781	4.7	39128	8.1	39918	4.5
38797	1.8	39131	8.1	39919	4.5
38807	2.3	39132	8.1	39920	4.5
38834	2.4	39133	8.1	39924	1.5
38835	8.7	39134	8.1	39940	4.5
38837	8.7	39135	8.1	39972	6.1
38838	8.7	39136	8.1	39972	6.3
38839	8.7	39137	8.1	39989	5.2
38840	8.7	39138	8.1	39990	5.2
38841	8.7	39152	5.2	39991	5.2.1
38842	8.7	39152	2.1.1	39992	5.2
38843	8.7	39154	5.2	39992	5.2.1
38844	8.7	39154	2.1.1	39993	5.2.1
38845	8.7	39198	8.8	39994	5.2
38846	8.7	39200	8.10.	39995	5.2.1
38847	8.7	39204	8.11	40009	2.4
38848	8.7	39204	8.5	40010	1.8
38854	7.1	39204	8.10.	40013	1.9
38855	6.2	39206	8.5	40014	1.9
38855	6.4	39209	2.3	40015	1.9
38855	7.1	39209	7.2	40016	1.9
38857	7.1	39384	8.2	40017	1.9
38860	8.7	39533	8.11	40049	1.2
38861	8.7	39540	6.2	40053	1.6
38862	8.7	39540	6.4	40091	1.6
38863	8.7	39546	1.8	40154	8.2
38864	8.7	39572	8.8	40156	2.1
38865	8.7	39667	6.2	40156	8.3
38866	8.7	39688	6.2	40183	1.6
38867	8.7	39728	7.2	40190	2.1
38868	8.7	39730	7.2	40305	2.1
38870	6.2	39736	7.1	40305	8.2
38870	6.4	39738	6.2	40306	2.1
38871	6.2	39769	6.1	40306	8.3
38872	6.2	39787	4.7	40320	2.4
39004	6.4	39788	5.1	40323	1.10
39008	6.4	39788	5.1.1	40324	7.1
39009	6.4	39820	8.12	40331	4.1
39019	5.1	39836	7.2	40337	1.8
39020	5.1.1	39840	6.2	40342	2.3

NUMERICAL INDEX

PART NO.	SECTION	PART NO.	SECTION	PART NO.	SECTION
40342	7.2	41410	1.3	956137	2.1.1
40346	1.6	41410	1.9	956429	3.3
40346	1.7	41420	4.3	956659	3.4
40347	1.6	41420	4.9	956660	3.4
40367	1.8	41434	1.9	956792	8.6
40433	8.8	41435	1.9	957259	5.1
40561	6.2	41436	1.9	957259	5.1.1
40561	6.4	41607	6.3	957372	3.2
40581	1.6	41611	6.3	957785	3.2
40582	6.2	41612	6.3	957985	8.8
40582	6.4	41627	1.1	958264	7.1
40583	6.2	41627	6.4	958336	8.9
40614	1.3	41632	1.9	958674	3.2
40614	1.4	41726	4.6	958720	1.10.
40614	1.5	41773	1.9	958722	1.10.
40651	8.12	41774	1.9	958724	1.10.
40652	8.12	41783	1.9	959090	2.1
40670	1.1	41784	7.1	959090	8.2
40670	6.2	41853	3.4	959090	8.3
40918	8.4	42017	4.5	959090	2.1.1
40918	8.5	42088	4.4	959137	8.3
40921	1.1	42089	4.4	959273	1.2
40922	1.1	42090	4.3	959595	8.6
40966	8.8	42091	4.3	959625	5.1
40969	8.8	42200	1.9	959630	4.2
40970	8.8	42201	1.3	959631	4.2
40983	2.1	42201	1.4	959711	8.6
4093	2.1.1	42201	1.9	959711	8.8
40983	2.4	42453	5.1	959981	1.7
41041	2.4	42453	5.3	960270	3.1
41189	2.1	42453	5.1.1	960271	3.1
41274	6.4	42491	1.8	960402	2.1
41288	1.3	42560	1.1	960402	8.2
41288	1.4	42560	7.2	960402	8.3
41288	1.9	42561	1.1	960402	2.1.1
41290	1.3	42561	7.2	960497	2.4
41290	1.4	42604	6.4	960498	2.4
41291	1.3	42607	5.3	960518	8.6
41291	1.4	42608	5.3	960571	2.3
41297	6.4	42609	5.3	960646	7.2
41324	1.5	42610	5.3	960680	1.6
41329	1.5	355316	8.2	960680	6.2
41330	1.5	952766	3.1	960680	6.4
41331	1.5	952766	3.1	960681	1.6
41370	1.4	953603	5.1.1	960692	8.9
41371	1.4	953780	8.9	960740	8.7
41318	1.5	953820	1.1	960767	1.9
41372	1.4	954265	7.3	960782	1.2
41391	1.3	954434	3.1	960795	2.4
41391	1.4	954434	3.3	960798	2.4
41391	1.5	954503	7.3	960798	3.4
41392	1.3	954704	7.1	960799	1.6
41392	1.5	956137	2.1	960805	2.2
41402	2.4	956137	8.2	960806	2.2

NUMERICAL INDEX

PART NO.	SECTION	PART NO.	SECTION	PART NO.	SECTION
960807	2.2	961426	1.3		
960810	2.3	961426	1.4		
960836	2.1	961427	1.3		
960837	8.3	961450	1.5		
960837	2.1.1	961451	1.5		
960840	2.1	961452	1.5		
960840	2.4	961452	1.9		
960840	8.2	961455	1.2		
960840	8.3	961456	1.3		
960840	2.1.1	961456	1.4		
960851	1.10.	961499	4.3		
960854	4.1	961501	8.7		
960854	5.1.1	961502	8.7		
960855	4.7	961510	1.10.		
960855	5.1	961590	1.9		
960856	4.1	961833	1.5		
960856	4.7	961834	1.5		
960857	4.7	961839	7.2		
960857	5.1	961840	7.2		
960858	4.1	961915	2.1		
960858	5.1	9601028	8.9		
960858	5.1.1				
960859	7.1				
960870	8.3				
960871	8.2				
960878	2.1				
960878	2.1.1				
960878	8.2				
960878	8.3				
960896	1.6				
960896	1.7				
960974	2.1.1				
960975	2.1				
961022	8.3				
961023	8.2				
961061	8.4				
961062	8.4				
961063	8.9				
961177	1.2				
961283	8.3				
961284	8.2				
961285	2.1.1				
961286	2.1				
961299	8.6				
961300	8.6				
961303	2.1				
961303	2.1.1				
961303	8.2				
961303	8.3				
961393	4.3				
961393	4.4				
961394	4.3				
961394	4.4				
961424	1.4				